



People who serve, products that solve.™

SAL-1 ELECTRIC SALAMANDER



**heat when you need it
where you need it**

Hatco's Electric SAL-1 Salamander is specially designed for versatility, with the capability to cook, grill, hold and reheat. The unique features and flexibility of the Hatco Salamander make it easy to operate, energy efficient, and highly functional in any kitchen.

STANDARD FEATURES INCLUDE:

- Adjustable upper housing gives 114mm of vertical movement putting heat exactly where needed.
- Three 'Instant On' heating elements located in the upper housing offer versatility & economy.
- Plate detection feature activates the instant-on heating elements when a food plate comes into contact with the bar, and deactivates when removed, saving energy costs.
- The HOLD function has eight programmable heat levels for consistent results.
- Heating elements are only on when in use, or in 'Hold' mode, reducing residual heat in the kitchen and conserving power.
- Flat touch control panel for ease of use and repeatability.
- Stainless steel construction ensures durability and easy clean up.
- Comes with removable cooking grate and drip tray, wall mounting hardware, 102mm adjustable black plastic legs.

FSM (FOOD SERVICE MACHINERY PTY. LTD.)
HEAD OFFICE: UNIT E6, 63-85 TURNER STREET,
PORT MELBOURNE, VIC. 3207 AUSTRALIA
T: +61 3 8645 2555 F: +61 3 8645 2565
E: sales@fsm-pl.com.au W: www.fsm-pl.com.au

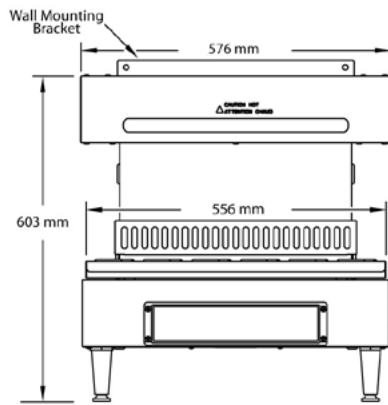
SYDNEY OFFICE:
UNIT 15, 7-9 PROGRESS CIRCUIT,
PRESTONS, NSW 2170 AUSTRALIA
T: +61 2 9608 8620 F: +61 2 9607 9370
E: sales@fsm-pl.com.au W: www.fsm-pl.com.au

QUEENSLAND:
T: 0400 099 992
E: sales@fsm-pl.com.au
W: www.fsm-pl.com.au

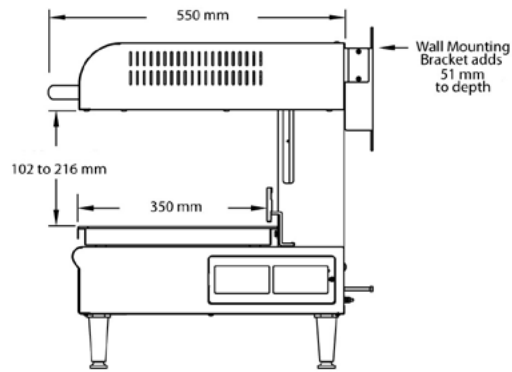


Electric Salamander

Model: SAL-1



Front View



Side View

SPECIFICATIONS Electric Salamander

Model	Dimensions (Width x Depth x Height*)	Cooking area (Width x Depth)	Volts	Phase	Watts	Amps	Cord Location	Ship Weight*
SAL-1	(576 x 550 x 603 mm)	(556 x 350 mm)	240	Single	4500	18.8	Back, bottom right side	65 kg

* Height includes 102mm legs. Add 51mm to depth for wall-mounted units.

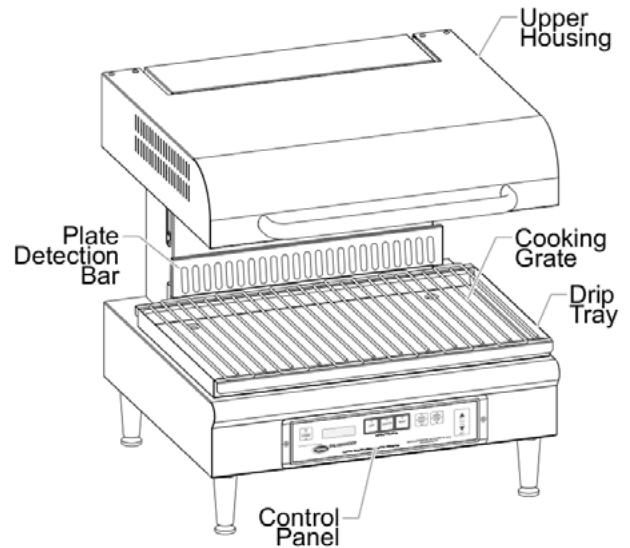
* Shipping weight includes packaging.



SAL-1
Adjustable upper
housing has movement
range of 114 mm



SAL-1
Shown with pan
not included



Due to our policy of continuous product improvement, specifications are subject to change without notice.

FSM (FOOD SERVICE MACHINERY PTY. LTD.)
HEAD OFFICE: UNIT E6, 63-85 TURNER STREET,
 PORT MELBOURNE, VIC. 3207 AUSTRALIA
 T: +61 3 8645 2555 F: +61 3 8645 2565
 E: sales@fsm-pl.com.au W: www.fsm-pl.com.au

SYDNEY OFFICE:
 UNIT 15, 7-9 PROGRESS CIRCUIT,
 PRESTONS, NSW 2170 AUSTRALIA
 T: +61 2 9608 8620 F: +61 2 9607 9370
 E: sales@fsm-pl.com.au W: www.fsm-pl.com.au

QUEENSLAND:
 T: 0400 099 992
 E: sales@fsm-pl.com.au
 W: www.fsm-pl.com.au