



Decorative Carving Stations



The Quality you Expect with the Style you Deserve

The Hatco Decorative Carving Station combines the Hatco Decorative Heat Lamp with the Swanstone® Heated Base to create an attractive carving display. Patent-pending telescoping stem and a 30° pivoting post gives you flexibility, style, and quality for your chef station in restaurants, hotels, country clubs, casinos, or custom catered events. The choice is Yours.

- Freestanding or with a rounded or rectangular heated stone base
- Decorative posts and lamps are available in three Plated colors: Bright Brass, Bright Nickel (standard), or Antique Bronze
- Heated stone bases, post bases, and cutting boards are made of foodsafe materials and come in four Decorative Stone colors: Gray Granite, Bermuda Sand, Night Sky (standard), and Sawgrass. Carving Station units come with matching cutting board (except DCS400-1) keeping juices contained and tablecloths clean



DCS400-1 with Bright Brass post and shade



DCSB400-R24-1 with Antique Bronze post and shade, and Night Sky base



DCSB400-2420-1 with Bright Nickel post and shade, and Night Sky base



DCSB400-3624-2 with Bright Brass posts and shades, and Night Sky base

FSM (FOOD SERVICE MACHINERY PTY. LTD.)

HEAD OFFICE:

21-23 Agosta Drive, Laverton North,
Vic. 3026 Australia
T: +61 3 9368 2300 F: +61 3 9369 3800
E: sales@fsm-pl.com.au W: www.fsm-pl.com.au

SYDNEY OFFICE:

Unit 15, 7-9 Progress Circuit,
Prestons, NSW 2170
T: +61 2 9608 8620 F: +61 2 9607 9370
E: sales@fsm-pl.com.au W: www.fsm-pl.com.au

QUEENSLAND OFFICE:

4/40 Rivergate Place,
Murarrie, QLD 4172
T: +61 7 3390 4185 F: +61 7 3393 9508
E: sales@fsm-pl.com.au W: www.fsm-pl.com.au

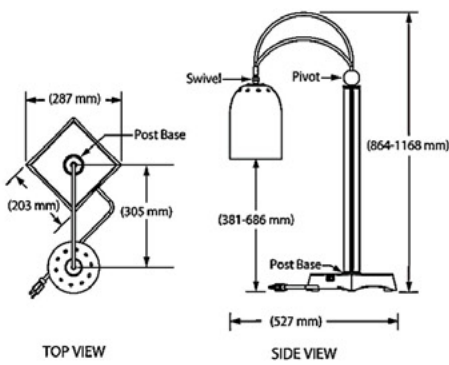
PERTH:

T: 0413 893 311
E: sales@fsm-pl.com.au
W: www.fsm-pl.com.au

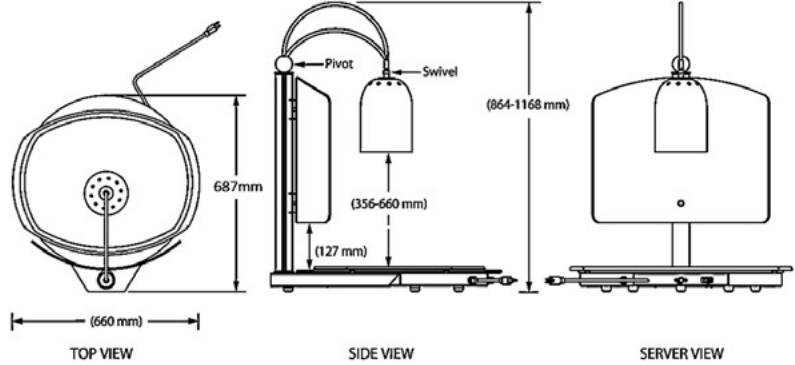


DECORATIVE CARVING STATION

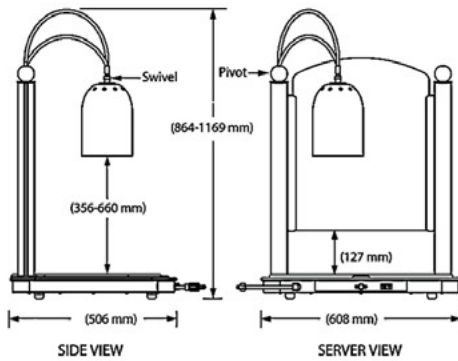
Models DCS400-1, DCSB400-R24-1, DCSB400-2420-1, DCSB400-3624-2



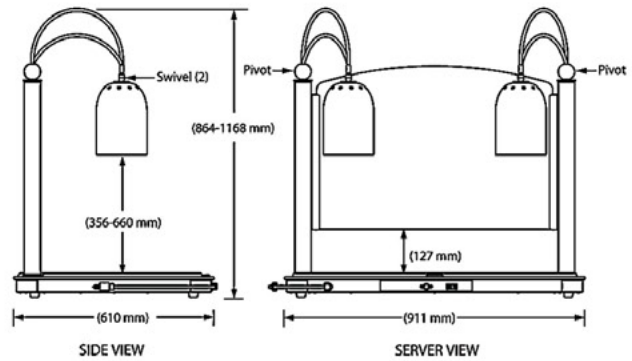
Model DCS400-1



Model DCSB400-R24-1



Model DCSB400-2420-1



Model DCSB400-3624-2

SPECIFICATIONS

Model	Volts	Watts	Amps	Shipping Weight
DCS400-1	240	250	1.1	(11 kg)
DCSB400-R24-1	240	600	2.5	(32 kg)
DCSB400-2420-1	240	750	3.2	(36 kg)
DCSB400-3624-2	240	1300	5.2	(54 kg)

DIMENSIONS

DCS400-1: (203 x 527 x 864-1168 mm).
 DCSB400-R24-1: (660 x 687 x 864-1168 mm).
 DCSB400-2420-1: (608 x 506 x 864-1168 mm).
 DCSB400-3624-2: (911 x 610 x 864-1168 mm).

HEATED BASE SURFACE AREA WxD

DCSB400-R24-1: (609 mm) diameter.
 DCSB400-2420-1: (609 x 508 mm).
 DCSB400-3624-2: (914 x 609 mm).

VOLTAGE

240 volt, single phase.

CORD LOCATION

DCS400-1: Base of unit, server side center.
 DCSB400-R24-1: Base of unit, server side on left.
 DCSB400-2420-1: Base of unit, server side on left.
 DCSB400-3624-2: Base of unit, server side on left.

OPTIONS

- Post and Lamp Shades Plated colors: Bright Brass, Bright Nickel (standard), Antique Bronze
- Heated Stone Base, post base, and Cutting Board Swanstone® color: Gray Granite, Bermuda Sand, Night Sky (standard), Sawgrass

ACCESSORIES

- Coated Red Bulb, 250 Watt (clear coat is standard)
- Swanstone® Cutting Boards with Juice Groove (Heated Base units include one Cutting Board)

FSM (FOOD SERVICE MACHINERY PTY. LTD.)

HEAD OFFICE:

21-23 Agosta Drive, Laverton North,
 Vic. 3026 Australia
 T: +61 3 9368 2300 F: +61 3 9369 3800
 E: sales@fsm-pl.com.au W: www.fsm-pl.com.au

SYDNEY OFFICE:

Unit 15, 7-9 Progress Circuit,
 Prestons, NSW 2170
 T: +61 2 9608 8620 F: +61 2 9607 9370
 E: sales@fsm-pl.com.au W: www.fsm-pl.com.au

QUEENSLAND OFFICE:

4/40 Rivergate Place,
 Murarie, QLD 4172
 T: +61 7 3390 4185 F: +61 7 3393 9508
 E: sales@fsm-pl.com.au W: www.fsm-pl.com.au

PERTH:

T: 0413 893 311
 E: sales@fsm-pl.com.au
 W: www.fsm-pl.com.au