



PORTABLE BUFFET SOLUTIONS

[CHOICES]

...THROUGH CUSTOMERIZATION



Unique Needs, Exact Solutions.



**OPTIMUM SERVING TEMPERATURES,
UNCOMPROMISING QUALITY**

The Hatco Serv-Rite™ Portable Buffet Warmers are designed to keep prepared foods at optimum serving temperatures without affecting quality. They're perfect for self-serve buffet areas and customer serving points. All Serv-Rite Buffet Warmers feature a thermostatically controlled heated base, durable stainless steel construction, sturdy aluminum extrusions, and a 6' (1829 mm) cord with plug.

Hatco Serv-Rite Buffet Warmers are ideal for use in buffet lines and as hors d'oeuvre displays. These unique foodwarmers are available with or without overhead halogen heat lamps and glass sneeze guards.

The Choice is Yours.

- All models equipped with removable utensil tray
- Digital temperature control
- SRBW, SRGBW and SRSSBW models have top light and heat controlled from a base mounted toggle switch
- Optional single-sided, clear or smoked glass sneeze guards available.

See Page 4 for Serv-Rite™ Heated Shelf models.

800.558.0607
www.hatcorp.com



SRSSBW-1 in standard Bold Black finish and Night Sky Swanstone®



SRBW-1 in standard Bold Black finish with single-sided clear glass sneeze guard and the accessory carving station board



SRGBW-1 in standard Bold Black with beveled black glass inset, halogen lights and two-sided smoked glass sneeze guard (food pans not available)



BLACK GLASS

HEATED CERAMIC GLASS SURFACE

THE MARRIAGE OF UNIFORM HEAT AND DIRECT FOOD PLACEMENT

The Hatco Heated Black Glass Shelf surface color is an elegant black, to add the right touch to any décor. Thermostatically-controlled heated ceramic glass surface helps hold your food hot and delicious at a surface temperature ranging from 100° to 200°F (38°-93°C). Place food product directly on the ceramic glass surface. The Heated Black Glass Shelf excels in pass-through areas, buffet lines and as a tempting hors d'oeuvre display. The Choice is Yours.

- Lighted On/Off rocker switch
- Portable units are available with optional trim rings and accessory handles in powdercoated *Designer Black*
- All units come with a 6' (1829 mm) cord and plug



HBG-2418 with accessory handles



HBG-2418

Unique Needs, Exact Solutions.



HEATED SHELVES

HEATING TECHNOLOGY FOR EVERY APPLICATION



GR2S-24 in standard Bold Black finish (food pans not available)

FITS JUST RIGHT

Simplicity and functionality team up in Hatco's Portable, *Designer*, Serv-Rite™, Rectangular and Round Heated Shelves. Whether you need a heated workspace or extra base heat in a pass-through or buffet area, Hatco's full line of shelf options can help you. Using a blanket or metal-sheathed heating element for an even temperature, the thermostatically controlled base (except the GRSR) extends the holding time of your food. Made with durable stainless steel, hardcoated aluminum, decorative stone or ceramic black glass tops. The Choice is Yours.



GRS-30-I in optional Designer color with accessory pan rail and food pans



GRSR-17 with optional Designer color and accessory food pan

DESIGNER COLORS



Printed colors are a representation and may not exactly match our Designer Colors.

800.558.0607
www.hatcocorp.com



GRSS-3618 in Bermuda Sand Decorative Stone with accessory handles



GRSSR20-DL77516 in Night Sky Decorative Stone

GLO-RAY® HEATED STONE SHELVES

Match the heat zone to your countertops with Hatco's Glo-Ray® Heated Stone Shelves. The portable food-safe shelves come in four standard colors and are ideal for buffet lines or as hors d'oeuvre displays. These unique warmers will safely hold food hot while blending in with your décor. The Choice is Yours.

- Hatco Heated Stone Shelves are made of NSF-approved foodsafe materials
- GRSS models available with accessory handles in powdercoated *Designer Black*
- Features a lighted rocker switch and thermostatically-controlled heated base to help hold your food hot and delicious
- Accessory 3" or 5" (76 or 127 mm) Risers available (GRSSR models only) in stainless steel (standard) or *Designer* colors



SERV-RITE™

SRSS-1 in standard Bold Black finish and Night Sky Swanstone®

SRG-1 in standard black with black glass inset (food pans not available)

SRB-1 in standard black with standard full-size food pan (included)

HEATED STONE COLORS



Printed colors are a representation and may not exactly match our Designer Colors.

GRSSR-18 in Night Sky Decorative Stone with optional 5" (127 mm) Riser in Designer color

GRSSR-20 in Night Sky Decorative Stone



GRSSR-16 in Night Sky Decorative Stone with optional 3" (76 mm) Riser in Designer color

Unique Needs, Exact Solutions.





GLO-RAY® BUFFET WARMERS

ULTIMATE HEAT SOURCE

THE DESIGNER SOLUTION

Combining state-of-the-art design with performance, these Glo-Ray® Buffet Warmers place the focus on the product while holding and protecting food. The modern design is perfect for front-of-the-house use. Available in seven *Designer* powdercoated color inserts (with the choice of an entire unit in color as well) that blends into any décor. The Choice is Yours.

DESIGNER COLORS



Warm Red



Black



Gray Granite



White Granite



Navy Blue



Hunter Green



Antique Copper

Printed colors are a representation and may not exactly match our *Designer Colors* and *Gloss Finishes*.



GR2BW-30 with optional Designer color inset and accessory food pans



GR2BW-30 in optional Designer Black with Black inset and accessory food pans

800.558.0607
www.hatcorp.com



GRBW-30 with accessory food pans

THE PERFECT ALTERNATIVE TO CANNED HEAT

Hold hot food at optimum serving temperatures on buffet lines or at temporary serving areas with Hatco Glo-Ray® Buffet Warmers. Available in many lengths to fit your operation.

The Choice is Yours.



Model GRBW-30 with optional front and end accessory sign holder (graphic not included) and pans

ALL GLO-RAY® BUFFET WARMERS INCLUDE:

- Thermostatically-controlled heated base to extend holding times of most foods
- Prefocused infrared top heat directs heat to the outer edges where heat loss is greatest
- Sturdy plexi-glass sneeze guard
- Shatter-resistant incandescent lights enhance product displays while safeguarding food from bulb breakage
- Available in a variety of lengths from 25¹/₈"-78¹/₄" (638-1988 mm)
- Optional *Designer Colors*: Warm Red, Black, Gray Granite, White Granite, Navy Blue, Hunter Green, Antique Copper
- Optional infinite control available for top heat only

Unique Needs, Exact Solutions.



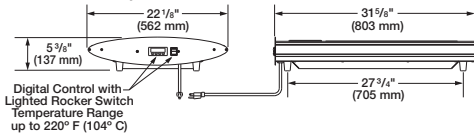
SPECIFICATIONS

PLEASE REFERENCE PRODUCT SPECIFICATION SHEETS FOR INDIVIDUAL MODEL LISTINGS

SERV-RITE™ BUFFET WARMERS AND HEATED SHELVES

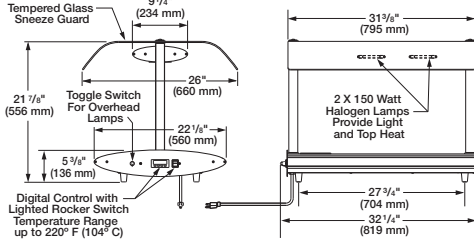
Models SRB-1, SRBW-1, SRG-1, SRGBW-1, SRSS-1, SRSSBW-1
Available in 120 volts, single phase.

SRB - base only



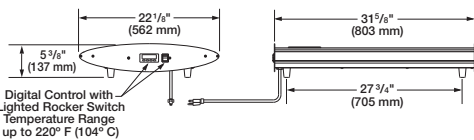
Digital Control with Lighted Rocker Switch Temperature Range up to 220° F (104° C)

SRBW



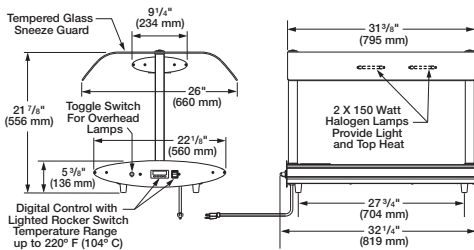
Digital Control with Lighted Rocker Switch Temperature Range up to 220° F (104° C)

SRG and SRSS - base only



Digital Control with Lighted Rocker Switch Temperature Range up to 220° F (104° C)

SRGBW and SRSSBW

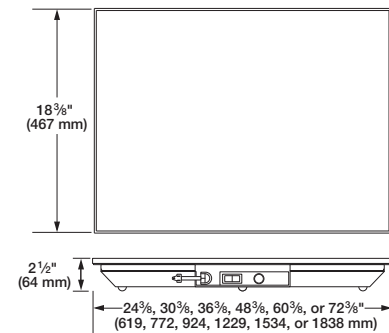


Digital Control with Lighted Rocker Switch Temperature Range up to 220° F (104° C)

BLACK GLASS HEATED SHELVES

Model HBG Heated Black Glass Shelves
Available in 120 volts, single phase only.

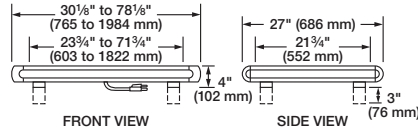
HBG Models



HEATED SHELVES

Glo-Ray® Model GR2S Designer Heated Shelves
Available in 120 volts, single phase, and seven *Designer* colors.

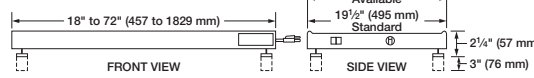
GR2S



Glo-Ray® Model GRS Heated Shelves

Available in 120 volts, single phase, and seven *Designer* colors.

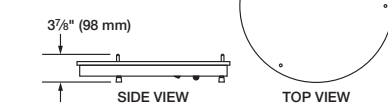
GRS



Glo-Ray® Model GRSR Round Heated Shelves

Available in 120 volts, single phase, and seven *Designer* colors.

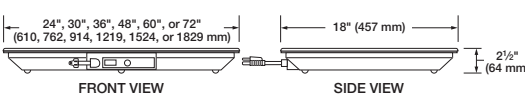
GRSR



Glo-Ray® Model GRSS Portable Heated Stone Shelves

Available in 120 volts, single phase, top in four Decorative Stone colors with black base.

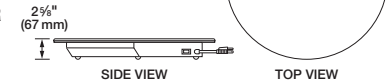
GRSS



Glo-Ray® Model GRSSR Round Heated Stone Shelves

Available in 120 volts, single phase, top in four Decorative Stone colors with base available in seven *Designer* colors.

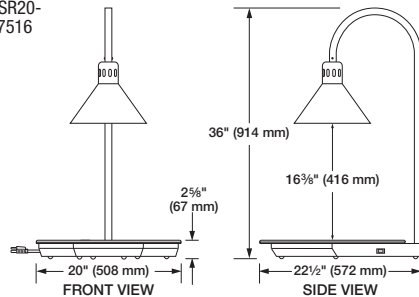
GRSSR



Glo-Ray® Model GRSSR20-DL77516

Heated Stone Shelf with Decorative Lamp
Available in 120 volts, single phase, top in four Decorative Stone colors with lamp and base available in seven *Designer* colors.

GRSSR20-DL77516



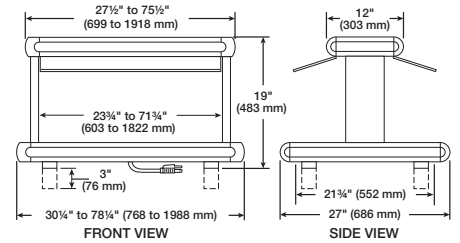
GLO-RAY® DESIGNER BUFFET WARMERS

Models GR2BW

Portable Foodwarmers with Metal-Sheathed Elements and Blanket Heating Elements

Available in 120 volts, single phase, and seven *Designer* colors (excludes heated base).

GR2BW

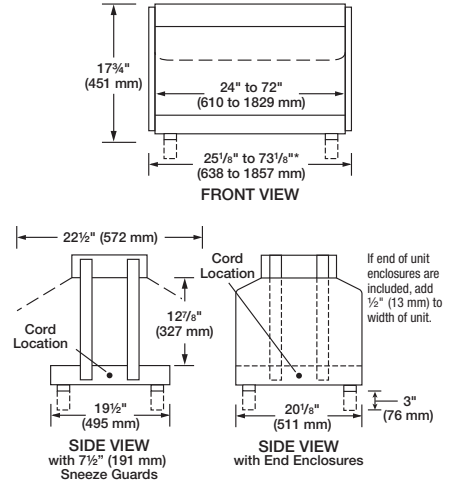


GLO-RAY® BUFFET WARMERS

Models GRBW

Portable Foodwarmers with Metal-Sheathed Elements
Available in 120 volts, single phase (excludes heated base).

GRBW



Nothing less than the best.™

P.O. Box 340500
Milwaukee, WI 53234-0500 U.S.A.
(800) 558-0607 (414) 671-6350
www.hatcocorp.com
E-mail: equipsales@hatcocorp.com

Printed in U.S.A.



Scan with web-enabled mobile device to visit
www.hatcocorp.com

Cover photo and photos on pages 1-3 were taken at the Pfister Hotel, Milwaukee, WI



Form No. PBSB-0408-2 WW-SG
Revised March 2011