

SAN JAMAR EZI-FIT[®] CUP DISPENSER C2410CBKFSM



The EZI-FIT solution from San Jamar for all your cup dispensing needs.

Whatever the size; whatever the type – foam, paper or plastic; whatever the mounting need – horizontal or vertical, the EZI-Fit[®] cup dispensing solution is the answer.

Simple to instal and operate, the EZI-FIT Dispenser comes with four different size gaskets to cover the cup size range from 73-121mm diameter cups.

Easily change to other cup sizes without tools.

Ideal for multiple installations using different size cups in the same dispenser for uniform appearance.

The EZI-to-change patented gaskets hold and seal the cups avoiding contamination.

The quick release collar provides easy cleaning, and the no-jam cup holder and tangle-free spring protect cups.

Also choose EZI-FIT Lid Dispensers (L2200CFSM or L2400CFSM pictured) to complement the installation and provide maximum convenience for your clients and minimise waste.

EZI-FIT Cup Dispensers are available in the regular tube length of 597mm, or the shorter C2410C18 Model at 450mm length for confined cabinet spaces.

Replacement gaskets are readily available.

For applications where in-counter mounting is not possible, choose the surface-mount model **C2410SM** with sturdy 6 gauge plated wire frame for horizontal or vertical mount.

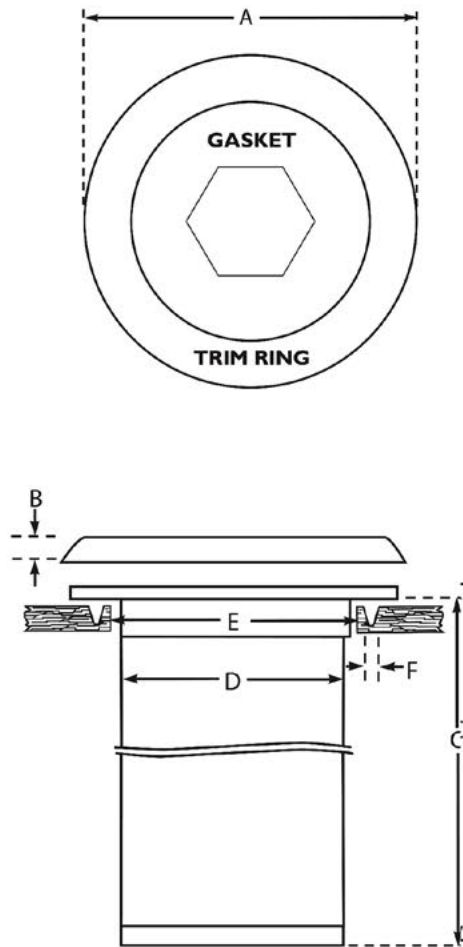


EZI-FIT CUP & LID DISPENSERS SHOWN WITH OPTIONAL DISPENSER CABINET

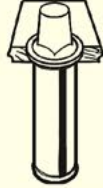


Now, let's put a lid on it



SAN JAMAR EZI-FIT CUP DISPENSER FITTING GUIDE



SURFACE MOUNT MODEL C2410SM
SHOWN WITH WIRE FRAME SUPPORT

			
Specifications for EZ-Fit [®] Dispensers	C2410CBKFSM C2410C18 One Size Fits All EZ-Fit [®] Dispenser	C2210C C2210C18 "Euro" EZ-Fit [®] Dispenser	C2010C C2010C12 Portion Cup EZ-Fit [®] Dispenser
Trim Ring Diameter A	6¹³/₁₆" (173 mm)	6¹/₁₆" (154 mm)	4⁵/₁₆" (110 mm)
Trim Ring Height B	11/16" (18 mm)	11/16" (18 mm)	13/16" (21 mm)
Tube Length C	22⁵/₈" (575 mm) 16⁷/₈" (429 mm)	22³/₄" (578 mm) 16⁷/₈" (429 mm)	15¹/₄" (388 mm)
Tube Diameter D	5⁵/₈" (143 mm)	4³/₄" (121 mm)	3¹/₁₆" (78 mm)
Counter Hole Cut-Out Diameter E	5³/₄" (146 mm)	4⁷/₈" (124 mm)	3¹/₄" (83 mm)
Screw Hole Diameter F	3/16" (5 mm)	5/32" (4 mm)	5/32" (4 mm)
Cup Rim Diameter Range	2⁷/₈" - 4³/₄" (73-121mm)	2⁷/₈" - 3⁷/₈" (73-98mm)	1¹/₂" - 2⁵/₁₆" (38-59mm)
Cup Size Range	8-46oz (236-1360ml)	6-24oz (178-710ml)	1/2-1¹/₂oz (15-70ml)