



Quality Bain Marie solutions from Europe's leading design and manufacturing facility, this exceptional quality range offers excellent performance, leading edge style and design.

Designed for 1/1 GN containers, this series of Bain Marie is available in sizes of 800, 1125, 1455 and 1780mm to suit 2,3,4 and 5 containers.

With adjustable temperature of up to 90°C approx. the units include a digital thermostat for optimum control.

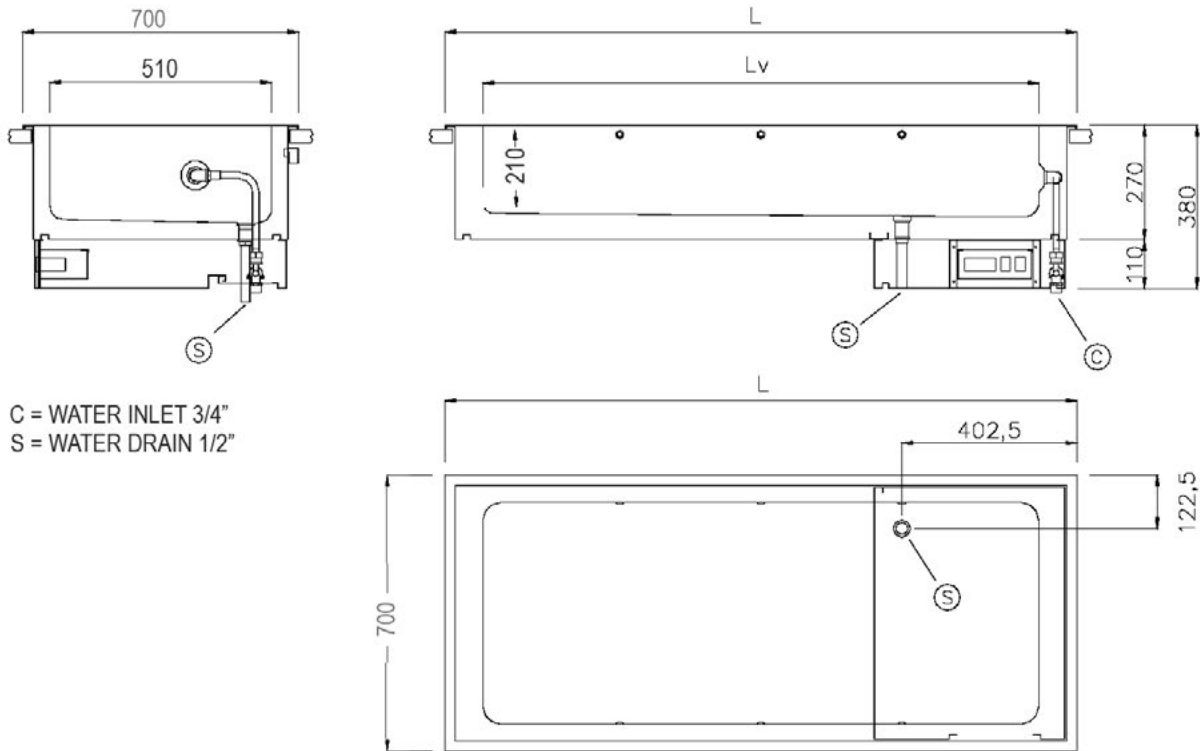
Ultra-flat heating elements aid heat transfer for faster heat up, less heat loss and increased economy compared to lesser units.

All units include solenoid controlled water inlet valve and drain.

Drop-in Wet Bain Marie

BAIN-MARIE WITH WATER					
Model		8046420	8046421	8046422	8046423
External dimensions [mm]					
	L = length	800	1125	1455	1780
Well dimensions [mm]					
	Lv = length of well	630	960	1280	1605
Capacity GN 1/1 containers		2 GN1/1	3 GN1/1	4 GN1/1	5 GN1/1
Diameter water inlet pipe		3/4"	3/4"	3/4"	3/4"
Diameter drain pipe		1/2"	1/2"	1/2"	1/2"
Total Power [Kw]		2	3	3	5
Well temperature [°C]		+65/+90	+65/+90	+65/+90	+65/+90
Supply voltage All single phase		230V 50Hz 9A	230V 50Hz 12.5A	230V 50Hz 12.5A	230V 50Hz* 21A

Note: 8046423 units supplied without electrical plug



C = WATER INLET 3/4"
S = WATER DRAIN 1/2"

Cutout dimensions

Gastro Norm	2 GN1/1	3 GN1/1	4 GN1/1	5 GN1/1	6 GN1/1
Length [mm]	775 (max 780)	1100 (max 1105)	1430 (max 1435)	1755 (max 1760)	2080 (max 2085)
Depth [mm]	675 (max 680)	675 (max 680)	675 (max 680)	675 (max 680)	675 (max 680)