

## Tilting braising pan with basket lift direct electric heating



STEWS  
 LEGUMES  
 BEEF STEAK  
 SLICED POTATOES  
 OMELETTE  
 SCRAMBLED EGGS  
 PULSES  
 SAUERKRAUT  
 BROWNED ROAST BEEF

### MULTIPURPOSE CATERING EQUIPMENT

BETTERPAN is a pressure cooker that offers multi-purpose cooking: for braising, boiling, browning, frying, steaming and pressure cooking. The compact size and the multifunctional system of this equipment for catering allows for installation even in less spacious environments.

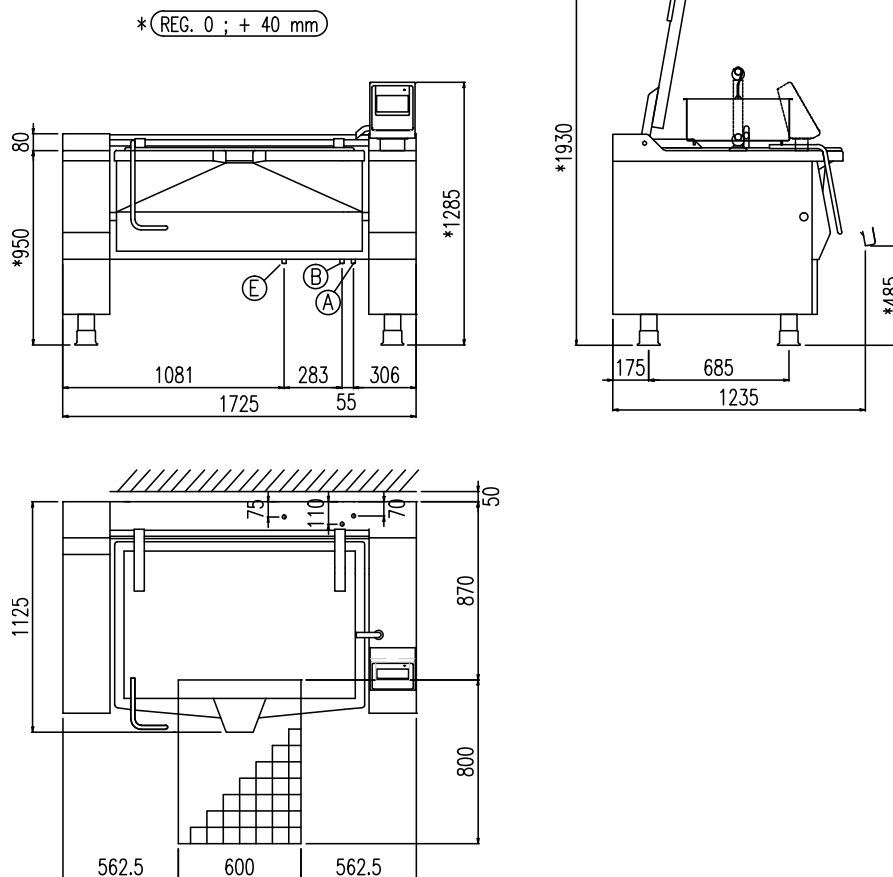
### VERSATILE AND EFFICIENT TILTING BRATT PAN

Thanks to the electronic application, you can set different cooking programs (e.g. for steaming and pressure cooking) and produce several dishes: from omelettes to fish fillet, steamed vegetables to meat sauces and much more. The compact size and versatility make this pressure bratt pan an irreplaceable element in centralised kitchens, catering services or in public canteens.

Heating type	direct electric
Capacity (L)	145
Surface (dmq)	69
Gas connection (Ø)	-
Electric connection (V/-/Hz)	3N+PE AC 400V 50/60 Hz

Width (mm)	1725
Depth (mm)	1125
Height (mm)	1285
Gas power (Mj/hr)	-
Electric power (kW)	20

**boiling** | **braising** | pasteurising | **tilting** | mixing | cooling | **frying** | underpressure | vacuum cooking | cutting | washing | drying



<b>E</b>	<b>Potenza assorbita</b> Electric power	<b>Elektrische Leistung</b> Puissance Électrique	<b>20.00 (kW)</b>
<b>E</b>	<b>Collegamento Elettrico</b> Electric connection	<b>Elektrische Verbindung</b> Connexion Électrique	<b>380-415V 3N ~ 50/60Hz</b>
<b>A</b>	<b>Allacciamento Acqua Calda</b> Hot water inlet	<b>Warmwasseranschluss</b> Raccordement eau chaude	<b>3/4"</b>
<b>B</b>	<b>Allacciamento Acqua Fredda</b> Cold water inlet	<b>Kaltwasseranschluss</b> Raccordement eau froide	<b>3/4"</b>

**boiling** | **braising** | pasteurising | **tilting** | mixing | cooling | **frying** | underpressure | vacuum cooking | cutting | washing | drying