

## Warning:

1. This machine is a showcase.
2. This instruction manual is an integral part of the machine and must be kept for any further consultation.
3. **Warning:** Never try to use this machine for applications which are not described in the instructions or in a way which is not described in the instruction or under conditions which are not similar those described in the instructions, otherwise severe hazards may occur!
4. This Machine should be used only for the purpose for which it was designed. Any other use is inappropriate and therefore dangerous. The manufacturer will not be held responsible for any damage caused by improper use.
5. Before installing and operating on the Machine read carefully this operation manual.
6. Keep the machine out of reach for children! Do not allow children to play with the machine.
7. Unplug the machine from outlet when not in use, before putting on or taking off parts, and before cleaning.
8. Be sure to unplug the machine if not using the machine in a long time.
9. If the supply cord is damaged, the cord should be replaced by the manufacturer, authorized service agent or similarly qualified persons in order to avoid a hazard.
10. Do not use the machine in a dusty environment or in an explosive atmosphere (inflammable gases, vapours and vapours from organic solvents).
11. Disable a defective machine in an obvious way, so that it does not represent a hazard to others and dispose of the machine according to the regulations from the local authorities. Please see Instructions for Disposal in this manual.
12. Other than cleaning mentioned in this instruction manual, no additional maintenance or servicing of this machine is required.
13. The motor is permanently lubricated and will require no oil.
14. Repairs, when necessary, must be performed at an authorized service facility.
15. The machine is suitable for indoor use only.
16. Basic safety rules:
  - a. Do not touch the Machine when hands or feet are wet.
  - b. Do not use the Machine when barefooted.
  - c. Do not allow the Machine to be used by children or untrained persons.
  - d. Do not leave the machine outside.
  - e. Do not pull on the electrical cord when unplugging the machine.

The company reserves the right to modify the construction or appearance without notice

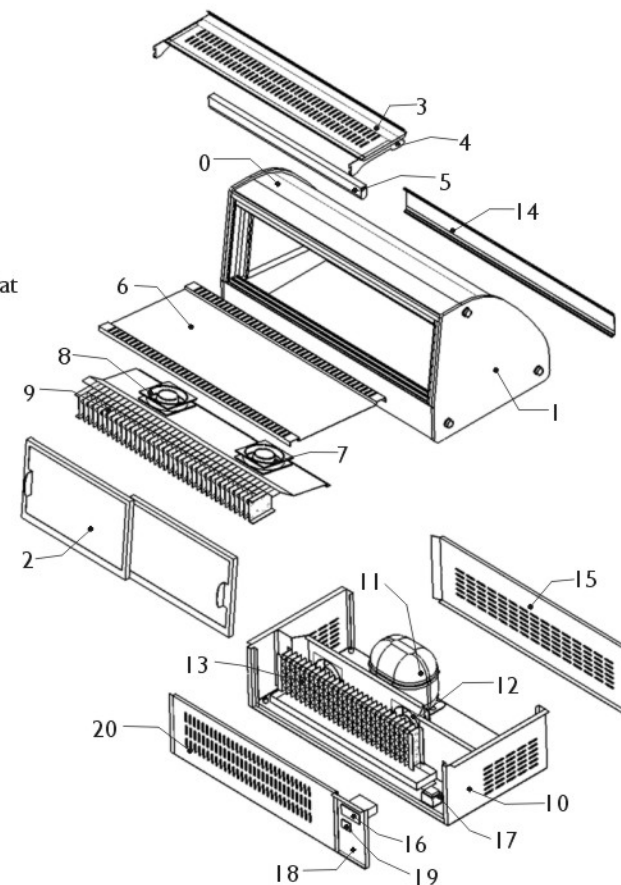
## Installation:

### Useful instruction for transport

1. In order to prevent the oil contained in the hermetic compressor from flowing into the cooling circuit, it is necessary to always carry, store and handle the machine in a vertical position, following the instructions found on the packaging.
2. If the machine was accidentally or purposely placed in a non-vertical position during transport, before operating the machine, it should be kept in a straight position for approximately 30 minutes, to allow the oil to flow back into the compressor.

Model No, M430, M440, M450.

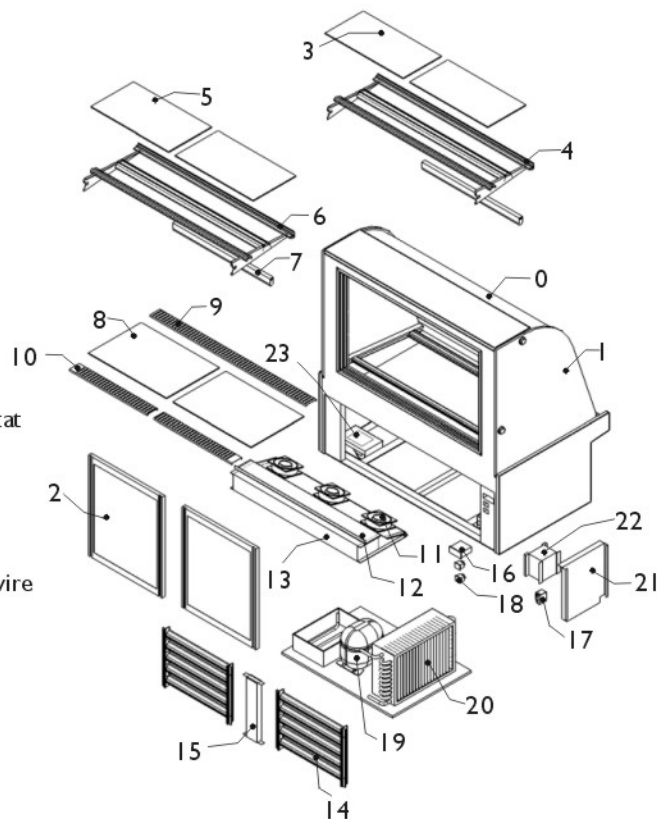
0. Front glass
1. Side glass
2. Sliding door
3. Top shelf
4. Top shelf bracket
5. Light
6. Bottom shelf board
7. Evaporator fan motor
8. Evaporator cover
9. Evaporator
10. Side panel
11. Compressor
12. Condenser fan motor
13. Condenser
14. Decoration panel
15. Front panel
16. Thermostat
17. Transformer for thermostat
18. Panel
19. Switch
20. Rear grill



## Structure diagram

Model No. S7. S8. S9. GL8. series.

0. Front glass
1. Side glass
2. Sliding door
3. Top shelf
4. Top shelf bracket
5. Middle shelf
6. Middle shelf bracket
7. Light
8. Bottom shelf
9. Front s/s air grill
10. Rear s/s air grill
11. Evaporator motor fan
12. Evaporator cover
13. Evaporator
14. Ventilation grill
15. S/S support
16. Digital thermostat
17. Transformer for thermostat
18. Switch
19. Compressor
20. Condenser & motor
21. Wiring board
22. Transformer for heating wire
23. Caster wheel



**Unpacking:** Remove wooden case board and plastic covering. Make sure that the machine has not been damaged. Remove the plastic film from all the stainless steel panels (if has).

**Important:** The various packaging should be kept from Children since they are potentially dangerous. Dispose the Packaging according to the regulations from the local authorities.

### Positioning

1. Do not install the machine in the area where water jet could be used.
2. Place machine on a horizontal and sturdy surface.
3. Please install the machine in locations where can be overseen by trained personnel.
4. For good ventilation, keep a distance of 20cm (7 inches), between unit and walls or other objects. Increase the distance if the obstacles are a heating source. When the dispenser is in place, press the brake on the wheels in order to keep it level. (FIG. 1)

### Assembling

1. Remove the bottom pallet from the machine.
2. Put shelves board onto the shelves.

### Electrical connection

Before inserting the plug into the electrical socket, carefully read the following precautions:

1. Make sure that the machine is properly connected to an efficient grounding system, in compliance with current safety standards.
2. Make sure that the voltage is in accordance with what indicated on the "serial number" label applied on the chassis.
3. The current available is sufficient for the maximum required by the machine.
4. If necessary, use only approved multiple outlets, in compliance with current safety standards.

If in doubt, consult only specialized technicians.

**By law, the machine must always be grounded.**

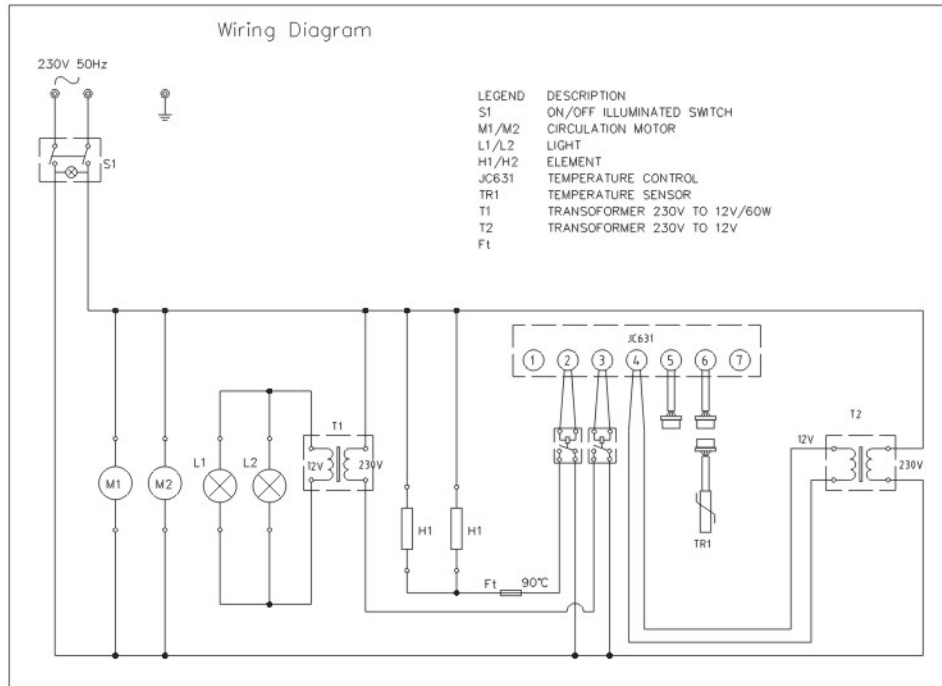
### How To Use:

Before using, the machine should be cleaned carefully as it comes into contact with food.

### Functioning

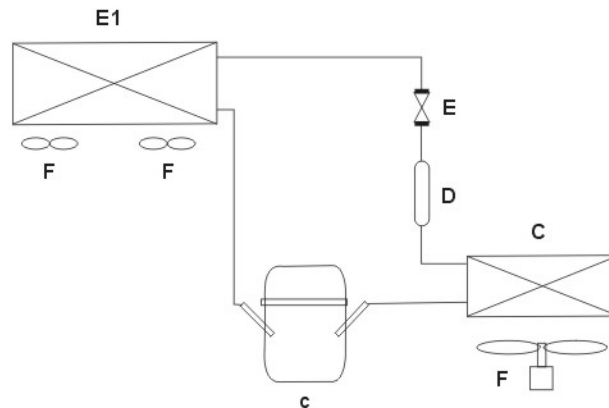
1. Make sure that the main switch is in the [I] position, plug in the machine.
2. Before starting the machine, ensure the sliding doors are properly closed.
3. Turn the main switch to [I] position, the condensing unit will automatically start.
4. For lighting, press lighting button. The lighting button locates on the thermostat.
5. If there is some condensations on front curved glasses, please turn the switch to [I] position for defogging.

Model NO.H430, H440, H450.



### Working principle diagram

LEGEND	
c	Compressor
C	Condenser
F	Fan
E1	Evaporator
E	Expansion valve
D	Dry-filter



### Maintenance:

Observe the ambient temperature

The machine is suitable for an ambient temperature ranging between 16 C - 32 C.

### Cleaning

For health standard and good quality of beverages or foods, clean interiors of machine as often as possible.

**Caution:** Do not clean the machine by water jet.

1. Before carrying out cleaning, remove the power plug.
2. Do not use abrasive powders that might impair the interior parts of showcase.
3. Use neutral soap and a little warm water to wash the interiors, Rinse carefully with water in order to remove any residual of soap.
4. To maintain a high standard of working performance, leave the machine turned on night and day in order to avoid deposit.

**Caution:**

Do not use any organic solvents (petrol, alcohol, etc.) for cleaning the machine. The case of the machine may be damaged and explosive vapours may develop. Do not use any sharp edged objects for cleaning.

The machine may be cleaned with a damp towel, but may never get in direct contact with water. After cleaning the machine make sure that it will be dried completely.

### Instructions for Disposal

When replacing your old machine with a new one, please comply with the following information:

Old machines are not worthless rubbish. Valuable raw materials can be reclaimed by recycling old machines.

Render old machine unusable:

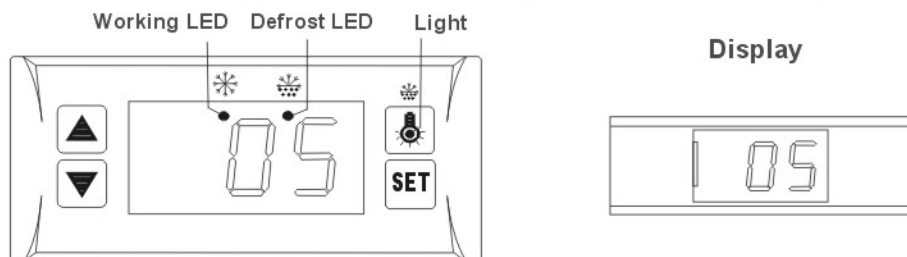
1. Pull out the mains plug,
2. Cut off the mains cable and discard with the mains plug,

**Caution: Refrigerants in refrigeration machines and gases in the thermal insulation must be disposed of professionally. Ensure that refrigeration tubing is not damaged prior to disposal. Please discard the machine according to the regulations from the local authorities.**

## Working Temperature Adjustment

To reset the temperature inside the showcase, please follow as below;

**CAUTION:** You are suggested not to reset the temperature controller frequently.



### 1. Set temperature

- Press **SET** button, the set temperature is displayed.
- Press **▲** or **▼** button to modify and store the displayed value, Press **SET** button to exit the adjustment and display the cold room temperature.
- If no more button is pressed within 10 seconds, the cold room temperature will be displayed.

2. Illumination: Press **Light** button, it lights; Press again, it stops.

3. Manual start/stop defrost: Press **Defrost** button and hold for 6 seconds to defrost or stop defrost.

4. Display the evap. temperature: Press **▲** button and hold for 6 seconds, the evap. temp. is displayed, after 10 seconds the cold room temp. is resumed to be displayed.

5. Working LED: During the course of refrigeration, the LED is on; When the cold room temp. is constant, the LED is off; During the delay start, the LED flashes.

6. Defrost LED: during defrosting, the LED is on; When it stops defrosting the LED is off. During the delay display of defrost, the LED flashes.

### 7. Parameter setup

- Press **SET** button and hold for 6 seconds to enter the parameter setup mode while E1 flashes.
- Press again **SET** button to select sequentially from the 10 parameters: E1, E2, E3, E4, E5, E6, F1, F2, F3, F4.
- Press **▲** or **▼** button, the value of parameter will be displayed and can be modified and stored.
- If no more button is pressed within 10 seconds, the cold room temperature will be displayed.

Parameter	Function	Set range	Default	Parameter	Function	Set range	Default
E1	Lower setpoint limit	-45℃~ Set temp.		F1	Max. defrost duration	1~60Min	
E2	Higher setpoint limit	Set temp.~ 45℃		F2	Defrost interval time	0~24Hr	
E3	Temp.hysteresis	1~10℃		F3	Defrost termination temp.	0~20℃	
E4	Comp.start delay time	0~10Min		F4	Display during defrost	0=Normal display 1=Last value before defrost	
E5	Offset on room temp.	-5~5℃					
E6	Offset on evap. temp.	-5~5℃					

## Trouble shooting:

Symptom	Possible reasons	Solution	Remark
● No power input/power direction lamp is not light	<ul style="list-style-type: none"> <li>● Broken fuse</li> <li>● Poor contact of plug and socket</li> <li>● Failure in input control circuit</li> </ul>	<ul style="list-style-type: none"> <li>● Replace</li> <li>● Repair or replace the socket</li> </ul>	
● Compressor does not work	<ul style="list-style-type: none"> <li>● Thermostat does not work</li> <li>● Thermostat is not on the working position</li> <li>● Poor contract of the thermostat</li> <li>● Loose plug pins of the starter</li> <li>● Broken compressor</li> <li>● Broken starter or capacitor</li> </ul>	<ul style="list-style-type: none"> <li>● Replace</li> <li>● Turning to the working position</li> <li>● Insert the plug tightly</li> <li>● Insert the plug tightly</li> <li>● Replace</li> <li>● Repair or replace</li> </ul>	Ask for authorized service department to check and repair
● Compressor run, the temperature in the showcase is high	<ul style="list-style-type: none"> <li>● Ambient temperature is too high.</li> <li>● Too much dust and dirt on the condenser</li> <li>● Frost on the evaporator is too thick</li> <li>● Thermostat out of work</li> </ul>	<ul style="list-style-type: none"> <li>● Adjust the thermostat properly</li> <li>● Clean it on time</li> <li>● Stop the machine to defrost. Set the temperature properly higher</li> <li>● Replace</li> </ul>	Ask for authorized service department to check and repair it.
● Condenser fan does not run	<ul style="list-style-type: none"> <li>● The capacitor of the fan out of work</li> <li>● The ball-bearing of the fan motor is lack of oil</li> <li>● The winding of the fan motor damaged</li> </ul>	<ul style="list-style-type: none"> <li>● Replace</li> <li>● Fill oil</li> <li>● Replace</li> </ul>	
● Compressor starts/stops frequently	<ul style="list-style-type: none"> <li>● The winding of the compressor is short circuit</li> </ul>	<ul style="list-style-type: none"> <li>● Check with a multi-meter, replace the compressor</li> </ul>	
● The fan of the evaporator does not work	<ul style="list-style-type: none"> <li>● Poor contact of the socket</li> <li>● The fan motor damaged</li> </ul>	<ul style="list-style-type: none"> <li>● Repair or replace</li> <li>● Replace</li> </ul>	

**Warning:** If the machine has any problem or has been damaged, do not try to repair or replace it by yourself. Please ask for the authorized service department for help.

## Technical specifications:

### 1. Cold Deli cake showcase

Floor type Cold Deli showcase	Models	Parameter	Shelves	Capacity	Gas	Dimensions LxWxH cm	Weight
	S740	220-240V~, 50HZ,749W	3	310L	R134A	120*73*120	200KGS
	S750	220-240V~, 50HZ,900W	3	395L	R134A	150*73*120	225KGS
	S760	220-240V~, 50HZ,956W	3	480L	R134A	180*73*120	260KGS
	S840	220-240V~, 50HZ,749W	3	360L	R134A	120*84*120	215KGS
	S850	220-240V~, 50HZ,900W	3	460L	R134A	150*84*120	245KGS
	S860	220-240V~, 50HZ,956W	3	560L	R134A	180*84*120	280KGS
	S940	220-240V~, 50HZ,843W	4	470L	R134A	120*81*137	285KGS
	S950	220-240V~, 50HZ,931W	4	600L	R134A	150*81*137	325KGS
	S960	220-240V~, 50HZ,1102W	4	730L	R134A	180*81*137	370KGS
	GL840	220-240V~, 50HZ,816W	4	491L	R134A	120*75*135	250KGS
	GL850	220-240V~, 50HZ,937W	4	633L	R134A	150*75*135	290KGS
Countertop Cold Deli showcase	GL860	220-240V~, 50HZ,1108W	4	776L	R134A	180*75*135	330KGS
	M430	220-240V~, 50HZ,340W	2	70L	R134A	90*47*68	83KGS
	M440	220-240V~, 50HZ,475W	2	94L	R134A	120*47*68	90KGS
	M450	220-240V~, 50HZ,495W	2	118L	R134A	150*47*68	105KGS

### 2. Hot Pastry Showcase

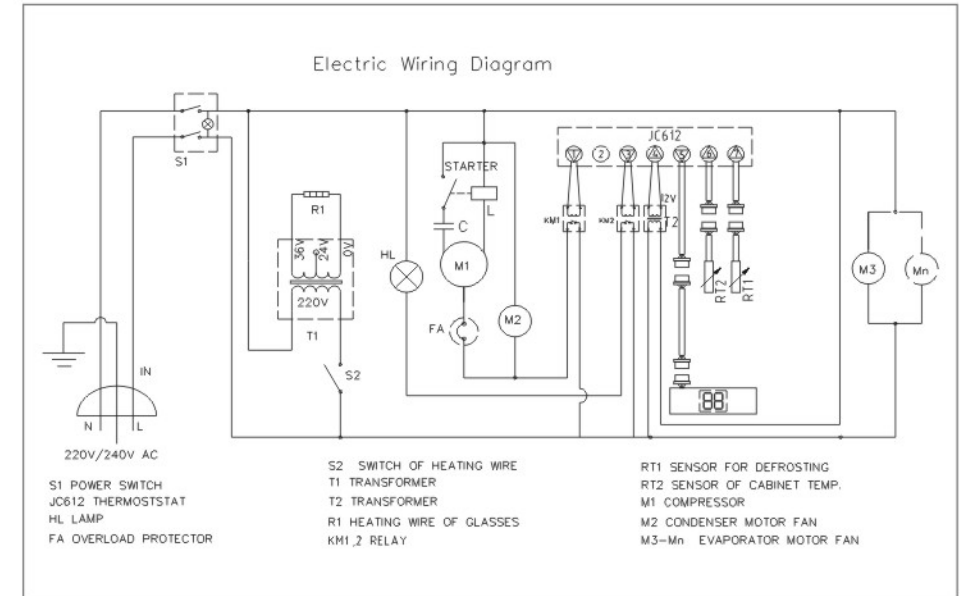
Countertop Hot showcase	Models	Parameter	Shelves	Capacity	Heater	Dimensions LxWxH cm	Weight
	H430	220-240V~, 50HZ,765W	2	70L	600W	90*47*68	50KGS
	H440	220-240V~, 50HZ,805W	2	94L	600W	120*47*68	65KGS
	H450	220-240V~, 50HZ,845W	2	118L	600W	150*47*68	75KGS

Note:

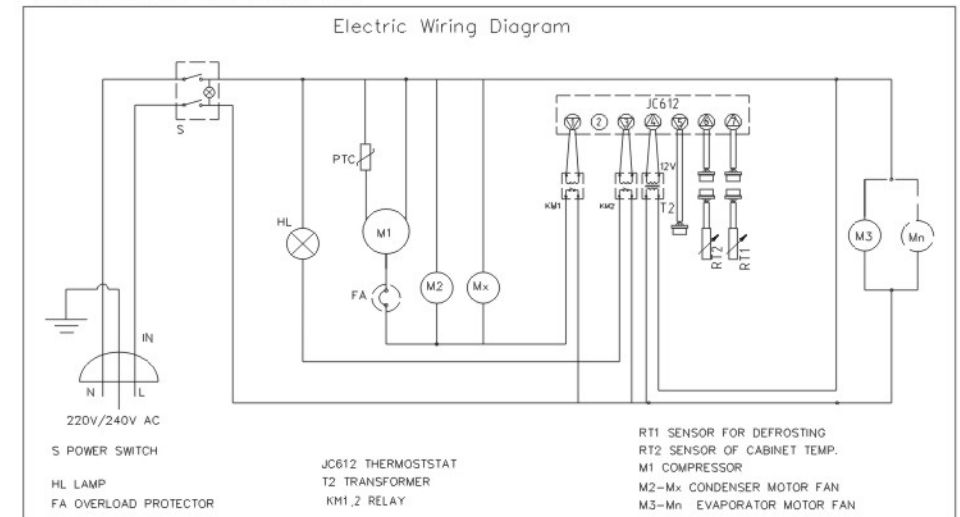
- (1) When the voltage and Hz are different, the performance function will not be affected. But the technical specifications will be different a little bit.
- (2) The weighted sound pressures of the machines are below 70dB.

### Electric Wiring Diagram

Model NO.S7, S8,S9, GL8 series.

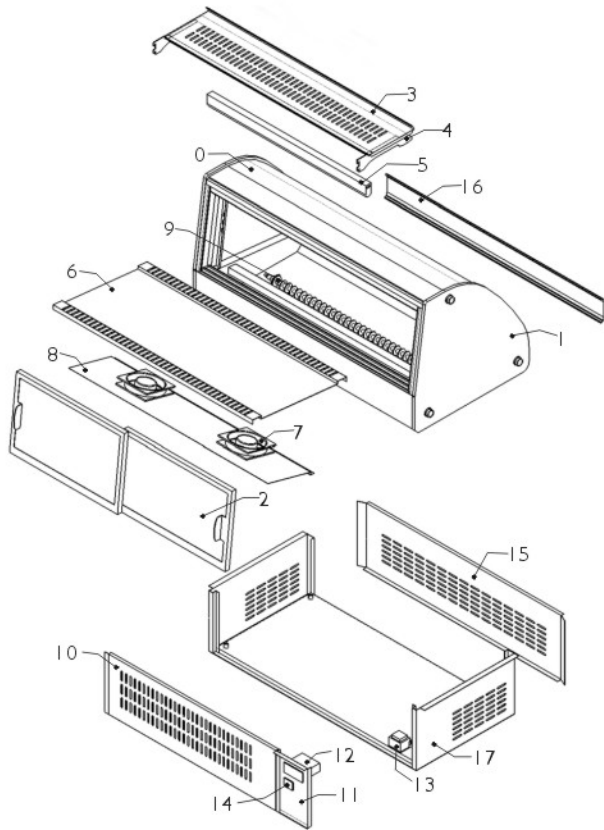


Model NO.M430, M440,M450.



Model No, H430, H440, H450.

- 0. Front glass
- 1. Side glass
- 2. Sliding door
- 3. Top shelf
- 4. Top shelf bracket
- 5. Light
- 6. Bottom shelf board
- 7. Motor fan
- 8. Heater cover
- 9. Heater
- 10. Rear grill
- 11. Panel
- 12. Thermostat
- 13. Transformer for thermostat
- 14. Switch
- 15. Front panel
- 16. Decoration panel
- 17. Side panel



## Index

Warning	-----	1 - 1
Installation	-----	1 - 2
How to Use	-----	2 - 3
Maintenance	-----	4 - 4
Instructions for Disposal	-----	4 - 4
Technical Specifications	-----	5 - 7
Working principle diagram	-----	7 - 7
Trouble Shootings	-----	8 - 8
Structure Diagram	-----	9 - 11