



B+S BLACK SERIES: YCJSF-1HE

Single Hole Waterless Heat Exchange Steamer

Project: _____ Item: _____



YCJSF-1HE

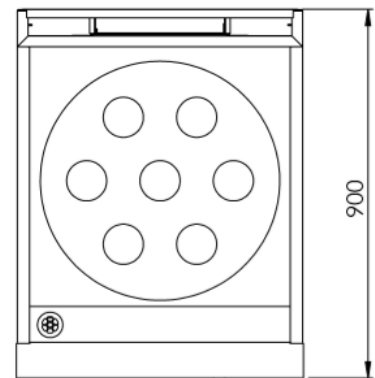
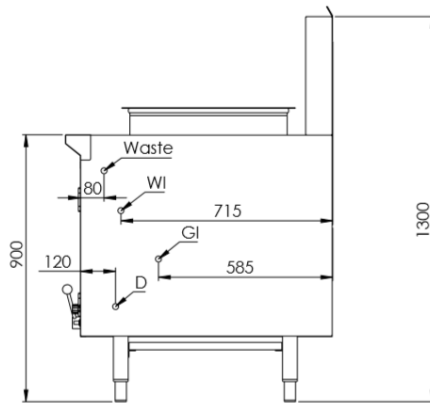
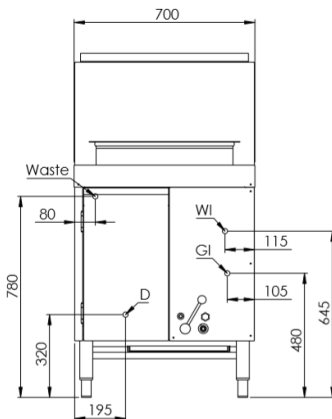
Standard Features:

- AISI 304 grade stainless steel
- Stronger supply of steam than conventional yum cha steamers
- Water consumption reduced by up to 100 litres per hour
- 2mm stainless steel tank
- Cabinet mounted stainless steel exterior & interior
- Lever handle gas control
- Overheat safety device to prevent tank dry-boil
- Piezo ignition and flame failure as standard
- More efficient and lower gas consumption than traditional yum cha steamers
- Water comes to boil in less than 20 minutes from ambient temperature of 20 degrees Celsius
- Perforated steaming plate included
- Duck bill jet burner
- 38.5-litre water capacity
- 18-month warranty
- Energy efficient omnidirectional conically perforated steam vent

Options:

- Natural or LP Gas

Specifications:



MODEL	LENGTH (mm)	DEPTH (mm)	HEIGHT (mm)	GAS CONSUMPTION (Mj/h)	
				NG	LPG
YSJSF-1HE	700	900	1300	88	85

Connections:

GAS (GI) (BSP)	WATER (WI)	WASTE (W) (BSP)	SUPPLY PRESSURE (kPa)	
			NG	LPG
¾" (M)	½" (Copper)	D1= 1½" (M) D2= ¾" (F)	1.0	2.6

- Regulator is included in the unit
- **Must** be installed by an authorised installer

Due to ongoing Product Development, Product Improvement and Research, B+S Commercial Kitchens reserves the right to alter specification without notice.



B+S Commercial Kitchens
57 Plateau Road Reservoir VIC 3073 Australia | +61 3 9469 4754
info@bscommercialkitchens.com | www.bscommercialkitchens.com

