



K+ SERIES: KYCJSF-1 Single Hole Waterless Pot Steamer

Project: _____ Item: _____



KYCJSF-1

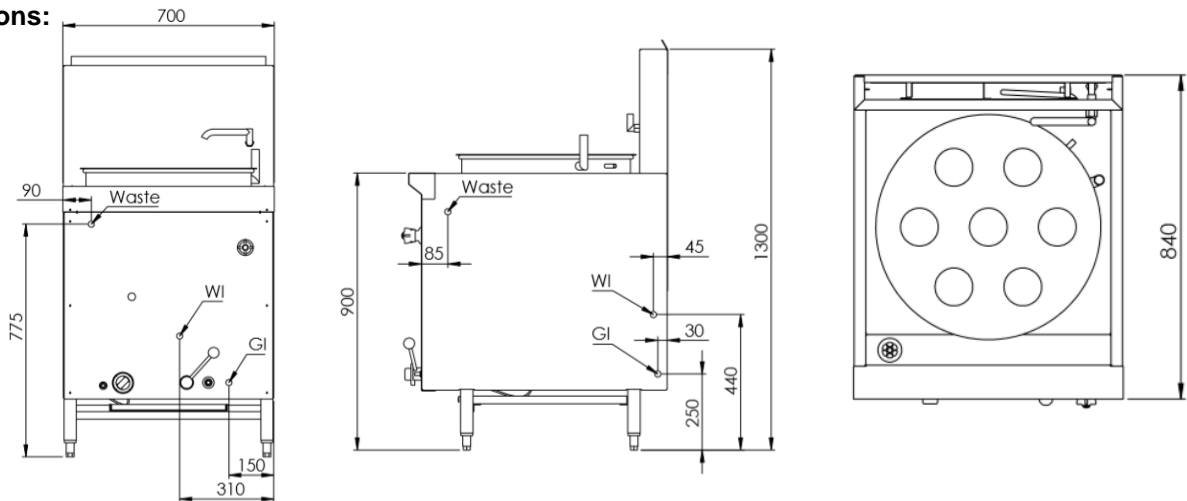
Standard Features:

- Stainless Steel Frame
- 64-Litre Stainless Steel Water Pot
- Powerful 130 Mj, 32 Jet Burners
- Built-in Water Overflow
- Swivel laundry arm which feeds into the water pot ensuring continuous water flow
- No water deck cooling required
- Water retaining lip allows for water conservation
- Front mounted controls for laundry arm
- Piezo Ignition and Flame Failure as standard
- 1.5mm thick Stainless-Steel Top Deck
- 12-month warranty

Options:

- Natural or LP Gas

Specifications:



MODEL	LENGTH (mm)	DEPTH (mm)	HEIGHT (mm)	GAS CONSUMPTION (Mj/h)	
				NG	LPG
KYCJSF-1	700	840	1300	130	98

Connections:

GAS (GI) (BSP)	WATER (WI)	WASTE (W) (BSP)	SUPPLY PRESSURE (kPa)	
			NG	LPG
¾" (M)	½" (Copper)	2" (M)	1.0	2.6

- Regulator is included in the unit
- **Must** be installed by an authorised installer

Due to ongoing Product Development, Product Improvement and Research, B+S Commercial Kitchens reserves the right to alter specification without notice.



B+S Commercial Kitchens
57 Plateau Road Reservoir VIC 3073 Australia | +61 3 9469 4754
info@bscommercialkitchens.com | www.bscommercialkitchens.com

