



K+ SERIES: KOV-SB4-GRP3

Four Burner Oven With 300mm Grill Plate

Project: _____ Item: _____



KOV-SB4-GRP3

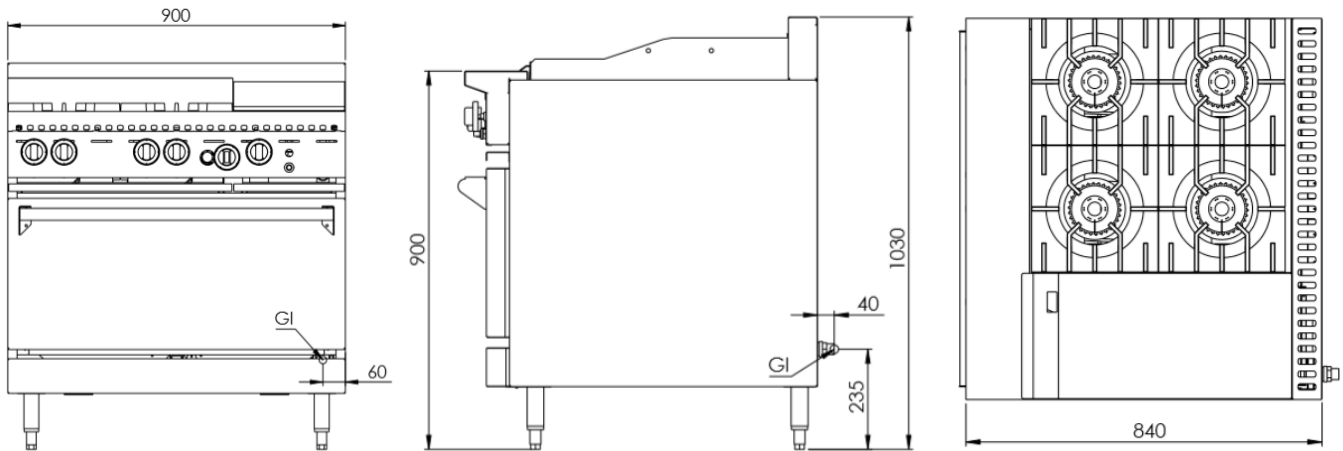
Standard Features:

- Stainless Steel Frame
- Heavy duty Cast Iron Trivet
- Solid Steel Base Plate allows for even heat distribution
- Heavy duty fully insulated dropdown door
- 29 MJ Oven Burner
- Multi-setting gas valve as standard allowing for greater regulation of flame setting
- Powerful 30 Mj cooktop section burner comes in two pieces for easy cleaning
- Easy to clean fat spillage tray
- Front access to all components for ease of service and adjustment
- Heavy Duty Mild Steel Plate 12mm Thick (GRP section)
- Internal Oven Dimensions: 630mm L x 785mm W x 290mm H (Height is measured from lowest rack to the top panel)
- 12-month warranty

Options:

- Natural or LP Gas
- BTFF- complete with flame failure
- BTPTO – complete with pilot take of only

Specifications:



MODEL	LENGTH (mm)	DEPTH (mm)	HEIGHT (mm)	GAS CONSUMPTION (Mj/h)	
				NG	LPG
KOV-SB4-GRP3	900	840	1030	171	170

Connections:

GAS (GI) (BSP)	SUPPLY PRESSURE (kPa)	
	NG	LPG
3/4" (M)	1.0	2.6

- Regulator is included in the unit
- **Must** be installed by an authorised installer

Due to ongoing Product Development, Product Improvement and Research, B+S Commercial Kitchens reserves the right to alter specification without notice.



B+S Commercial Kitchens
 57 Plateau Road Reservoir VIC 3073 Australia | +61 3 9469 4754
 info@bscommercialkitchens.com | www.bscommercialkitchens.com

