



K+ SERIES: KAWBT-SB2

Two Burner Boiling Top - Lower Working Height to Match Wok Table

Project: _____ Item: _____



KAWBT-SB2

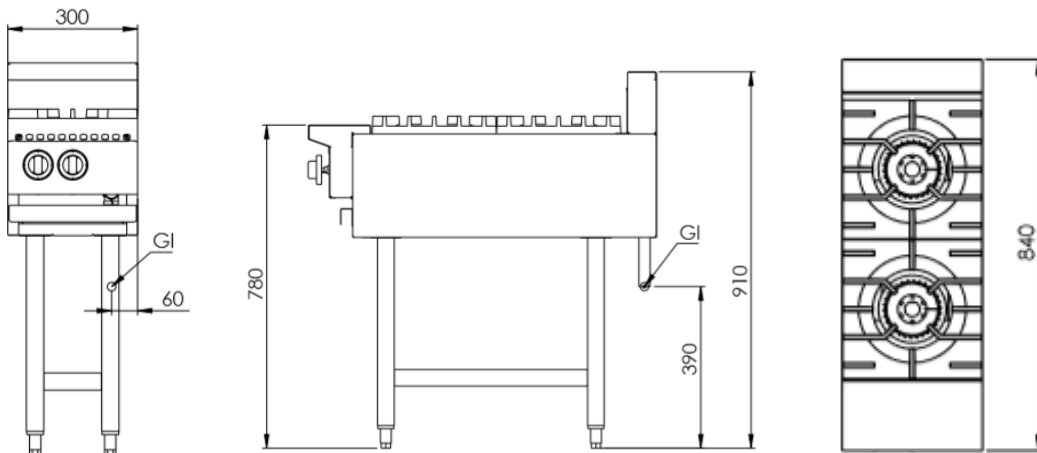
Standard Features:

- Stainless Steel Frame
- Powerful 30Mj cooktop section burner comes in two pieces for easy cleaning
- Multi-setting gas valve as standard allowing for greater regulation of flame setting
- Heavy duty Cast Iron Trivets
- Open stand with under shelf
- Easy to clean fat spillage tray
- Front access to all components makes service easy
- 12-month warranty

Options:

- Natural or LP Gas
- BTFF- complete with flame failure
- BTPTO – complete with pilot take of only

Specifications:



MODEL	LENGTH (mm)	DEPTH (mm)	HEIGHT (mm)	GAS CONSUMPTION (Mj/h)	
				NG	LPG
KAWBT-SB2	300	840	910	60	60

Connections:

GAS (GI) (BSP)	SUPPLY PRESSURE (kPa)	
	NG	LPG
¾" (M)	1.0	2.6

- Regulator is included in the unit
- **Must** be installed by an authorised installer

Due to ongoing Product Development, Product Improvement and Research, B+S Commercial Kitchens reserves the right to alter specification without notice.



B+S Commercial Kitchens
 57 Plateau Road Reservoir VIC 3073 Australia | +61 3 9469 4754
 info@bscommercialkitchens.com | www.bscommercialkitchens.com

