



BLENDER B-20 230/50-60/1 AUS

Professional beater. 300 W.

P/N 3030768



FEATURES AND BENEFITS

- ✓ **Professional performance**
- ✓ Vario-speed: variable speed.
- ✓ Designed to work in recipients of up to 15 litres.
- ✓ Beater with capacity for 2 to 30 egg whites.
- ✓ **Maximum comfort for the user**
- ✓ Compact design: logical and manageable size.
- ✓ Ergo-design & bi-mat-grip: external casing made in two materials for an ergonomic hold. Anti-slip grip. Optimum inclination of handle, minimising fatigue.
- ✓ Click-on-arm: detachable arm with fast and secure closure.
- ✓ Intuitive use: very simple operation. Warning light when the machine is connected to the mains.
- ✓ **Built to last**
- ✓ Professional performance: capable of carrying out prolonged work without the casing overheating.
- ✓ Life-plus: equipped with a motor which has passed all of the most demanding usage tests.
- ✓ Studied geometry: casing designed to avoid rolling and falling.
- ✓ Easy to clean: detachable arm, can be cleaned under the tap.
- ✓ Approved by NSF: guaranteed safety and hygiene.

SALES DESCRIPTION

Variable speed motor block.

Whisk with capacity for 2 to 30 egg whites.

INCLUDES

- ✓ Variable speed motor block.
- ✓ Whisk BA-20.

ACCESSORIES

- Mixer arms MA-20
- Whisk BA-20



sammic | www.sammic.com
Food Service Equipment Manufacturer

Polígono Basarte, 1. phone +34 943 15 72 36
20720 Azkoitia, Spain sales@sammic.com



Project	Date
Item	Qty
Approved	

DYNAMIC PREPARATION
COMMERCIAL HAND BLENDERS - XM RANGE

product sheet
updated 15/07/2020



BLENDER B-20 230/50-60/1 AUS

Professional beater. 300 W.

P/N 3030768

SPECIFICATIONS

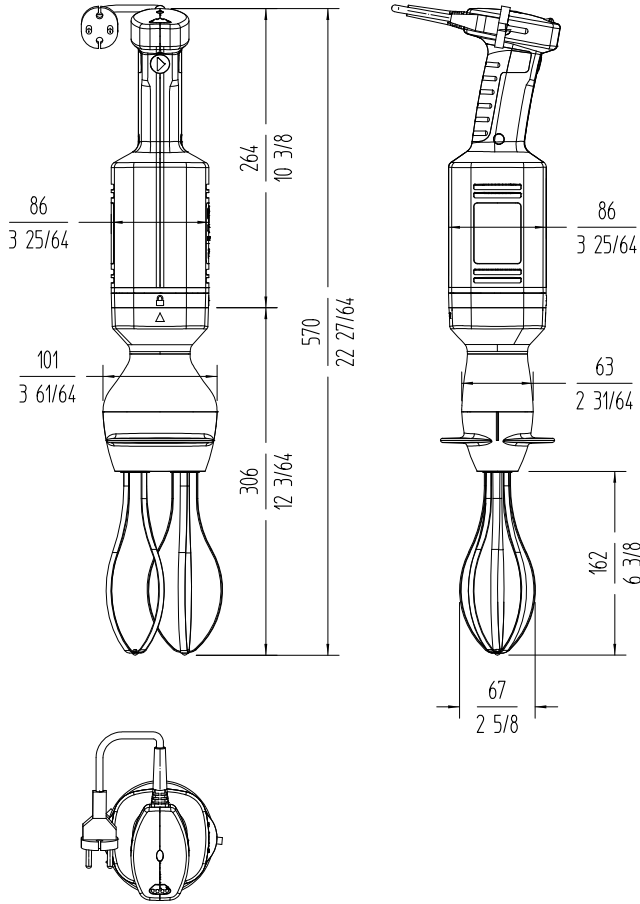
Total loading: 300 W
 Maximum recipient capacity: 15 l
 Motor speed: 200 - 1800 rpm
 Electrical supply: 230 V / 50-60 Hz / 1 ~
 (1.5 A)

Length

Revolving arm length: 306 mm
 Total length (with revolving arm): 570 mm
 Net weight: 2.62 Kg
 Noise level (1m.): <80 dB(A)

Crated dimensions

440 x 375 x 105 mm
 Gross weight: 3.3 Kg.



DYNAMIC PREPARATION
COMMERCIAL HAND BLENDERS - XM RANGE

sammic | www.sammic.com
 Food Service Equipment Manufacturer

Polígono Basarte, 1. phone +34 943 15 72 36
 20720 Azkoitia, Spain sales@sammic.com



Project	Date
Item	Qty
Approved	

product sheet
updated 15/07/2020