

SERIE 900

Code CR0983869 **Model** 9GLVP/G800



LAVA ROCK GRILLS ON CUPBOARD

General characteristics

The 900 BARON line is made in compliance with strict European Standards in terms of safety, hygiene, reliability and respect for the environmental and is certified under international standards such as CE, GOST, AGA and others. Stainless steel with scotch-brite finish heightens the aesthetic appeal, and the technological and ergonomic innovation of this equipment. Thanks to great compositional flexibility,

cook tops can be matched with oven bases and accessorised with hygienic finishes. Customised line-ups are possible by combining and fixing the equipment back to back, flushed sideways with perfectly sealed connections, or by creating "bridge" structures, offering top solutions to any chef. Basic range features:

- 2 mm thick moulded tops;
- 2" height adjustable stainless steel feet;
- removable control panel for access, moulded and shaped to avoid withholding dirt;
- recessed, tilted and ergonomic knobs.



CHARGRILLS

Lava stone grilles are recommended for grilling meats, fish and vegetables, which thanks to the heat from the radiation of the lava rock, give off that typical aroma of grill cooking.

Technical/functional characteristics

- 2 height adjustable stainless steel cooking grille;
- Removable drawer for fat collection
- Heating obtained via high power stainless steel burners powered and controlled by valves for gradual power adjustment;
- Piezo-electric ignition;
- Standard meat grille, cast iron fish/meat and fish grille available as accessories;
- Inert volcanic lava with radiant features compatible with food.

Technical Data

| | |
|-------------------------------|-----|
| Dimensions | |
| Width (mm) | 800 |
| Depth (mm) | 900 |
| Height (mm) | 870 |
| Gas connection (Ø) | - |
| Electric connection (V/~ /HZ) | - |
| Cold water connection (Ø) | - |
| Hot water connection (Ø) | - |

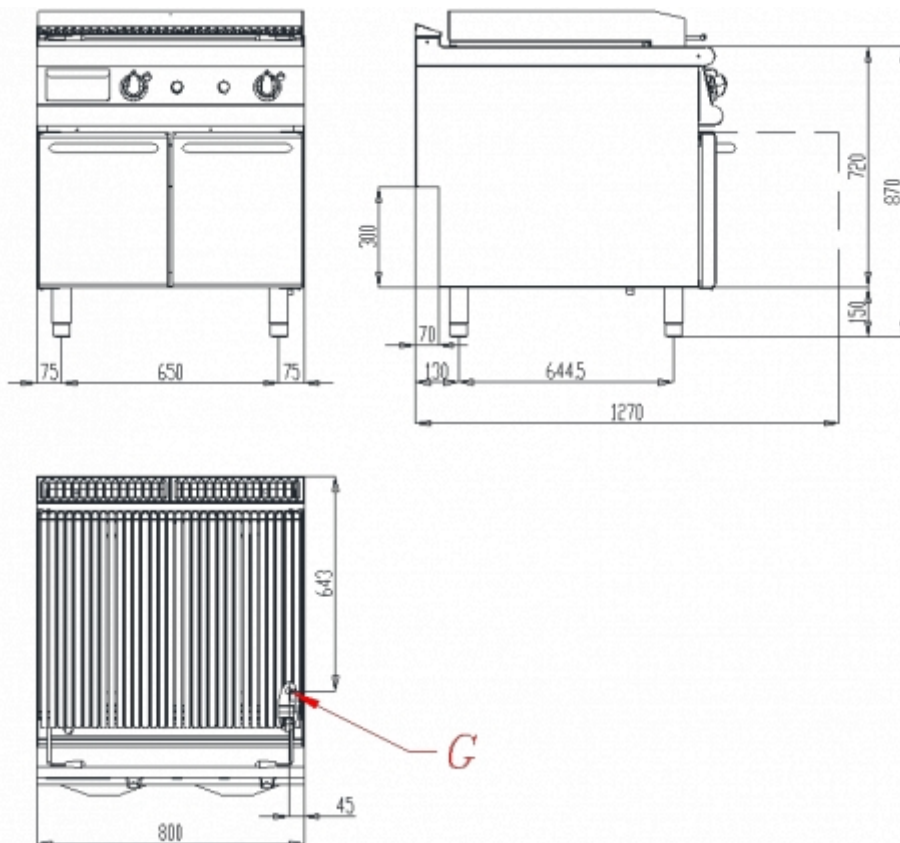
| | |
|--------------------------------|----|
| Cold soft water connection (Ø) | - |
| Drain (Ø) | - |
| Gas power (KW) | 25 |
| Electric power (KW) | - |
| Plate dimensions (mm) | - |
| Tank capacity (Lt) | - |
| TANK DIMENSIONS | - |
| Internal ovens dimension(mm) | - |

SERIE 900

Code CR0983869 **Model** 9GLVP/G800



LAVA ROCK GRILLS ON CUPBOARD



| Code | Description |
|------------|---|
| 9GPP80 | FISH GRATE W800 |
| 8031900221 | SIDE SUPPORTING TIP TOP - LEFT - 900 SERIE |
| 8031920600 | KIT 4 SWIVELLING CASTOR (2 WITH BRAKE) |
| CPL4 | LAVIC STONES PACK 4 KG |
| 8031900340 | RIGHT SIDE FINISHING END PIECE FOR 900 LINE |
| 9G80 | MEAT/FISH GRATE W800 |
| 0592399 | CLOSING PANEL FOR 900 SERIE |
| CR0982789 | SIDE KICK PLATE 900 SERIE |
| 8031900350 | LEFT SIDE FINISHING END PIECE FOR 900 LINE |
| 9GPC80 | MEAT GRATE W800 |
| 0592790 | FRONTAL KICK PLATE W=800 |
| 8031900460 | FIXED SIDE TOP - RIGHT - 900 SERIE |
| 9GPCP80 | MEAT/FISH GRATE W800 |
| 8031900211 | SIDE SUPPORTING TIP TOP - RIGHT - 900 SERIE |
| 8031900470 | FIXED SIDE TOP - LEFT - 900 SERIE |