

# SERIE 900

**Code** CR0786909

**Model** 9GLV/G400



## LAVA ROCK GRILLS ON CUPBOARD

### General Characteristics

The 900 Baron line is made in compliance with strict European Standards in terms of safety, hygiene, reliability and respect for the environmental and is certified under international standards such as CE, GOST, AGA and others. Stainless steel with scotch-brite finish heightens the aesthetic appeal, and the technological and ergonomic innovation of this equipment. Thanks to great compositional flexibility, cook tops can be matched with oven bases and accessorised with hygienic finishes. Customised line-ups are possible by combining and fixing the equipment back to back, flushed sideways with perfectly sealed connections, or by creating "bridge" structures, offering top solutions to any chef. Basic range features:

- 2 mm thick moulded tops;
- 2" height adjustable stainless steel feet;
- removable control panel for access, moulded and shaped to avoid withholding dirt;
- recessed, tilted and ergonomic knobs.



### CHARGRILLS

Lava stone grilles are recommended for grilling meats, fish and vegetables, which thanks to the heat from the radiation of the lava rock, give off that typical aroma of grill cooking.

### Technical/Functional Characteristics

- 2 height adjustable stainless steel cooking grille;
- Removable drawer for fat collection
- Heating obtained via high power stainless steel burners powered and controlled by valves for gradual power adjustment;
- Piezo-electric ignition;
- Standard meat grille, cast iron fish/meat and fish grille available as accessories;
- Inert volcanic lava with radiant features compatible with food.

## Technical Data

DIMENSIONS	
Width (mm)	400
Depth (mm)	900
Height (mm)	870
Gas connection (Ø)	1/2"
Electric connection (V~/HZ)	
Cold water connection (Ø)	
Hot water connection (Ø)	

Cold soft water connection (Ø)	
Drain (Ø)	
Gas power (mm)	12,5
Electric power (mm)	
Plate dimensions (mm)	390 x 650
Tank capacity (Lt)	
TANK DIMENSIONS	
Internal ovens dimension(mm)	



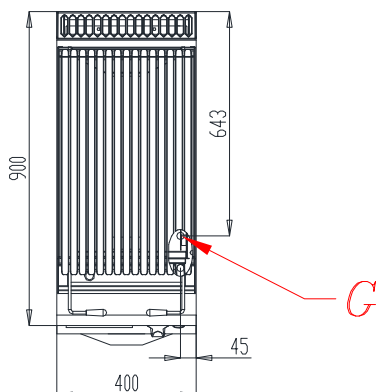
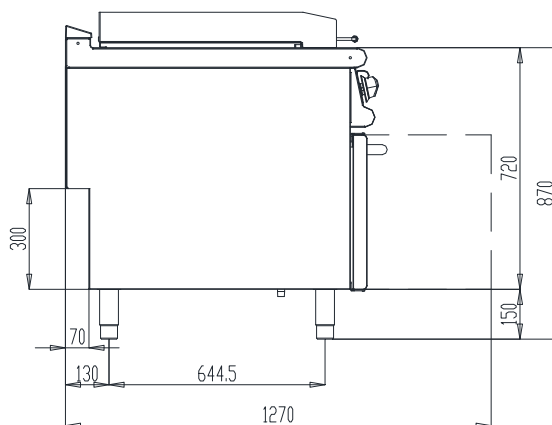
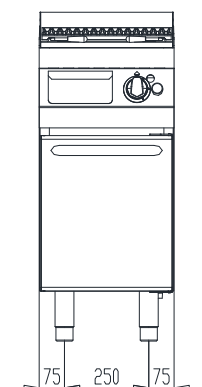
# SERIE 900

Code CR0786909

Model 9GLV/G400



## Installation Layout



G gas connection | E electric connection | CW cold water connection | HW hot water connection | SW soft cold water connection | D drain

## Accessories

Code	Description
9GPC40	MEAT GRATE W400
9GPP80	FISH GRATE W800
9G40	MEAT/FISH GRATE W400
CPL4	LAVIC STONES PACK 4 KG
8031900340	RIGHT SIDE FINISHING END PIECE FOR 900 LINE
8031900350	LEFT SIDE FINISHING END PIECE FOR 900 LINE
8031900211	SIDE SUPPORTING TIP TOP - RIGHT - 900 SERIE
8031900460	FIXED SIDE TOP - RIGHT - 900 SERIE
8031900221	SIDE SUPPORTING TIP TOP - LEFT - 900 SERIE
8031900470	FIXED SIDE TOP - LEFT - 900 SERIE
8031920400	SWIVELLING CASTOR
8031920410	SWIVELLING CASTOR WITH BRAKE
8031920600	KIT 4 SWIVELLING CASTOR (2 WITH BRAKE)
8031920320	FRONTAL KICK PLATE W=400
8031920380	SIDE KICK PLATE 900 SERIE
0592390	CLOSING PANEL FOR 900 SERIE

