

SERIE 900

Code CR0788369

Model 90PC/IND800



4 ZONE INDUCTION RANGE TOP VERSION

General Characteristics

The 900 Baron line is made in compliance with strict European Standards in terms of safety, hygiene, reliability and respect for the environmental and is certified under international standards such as CE, GOST, AGA and others. Stainless steel with scotch-brite finish heightens the aesthetic appeal, and the technological and ergonomic innovation of this equipment. Thanks to great compositional flexibility, cook tops can be matched with oven bases and accessorised with hygienic finishes. Customised line-ups are possible by combining and fixing the equipment back to back, flushed sideways with perfectly sealed connections, or by creating "bridge" structures, offering top solutions to any chef. Basic range features:

- 2 mm thick moulded tops;
- 2" height adjustable stainless steel feet;
- removable control panel for access, moulded and shaped to avoid withholding dirt;
- recessed, tilted and ergonomic knobs.



INDUCTION RANGE

Excellent cooking ranges are essential in every kitchen and are extremely versatile for any type of cooking. The electric ranges are available with independent cast iron plates, glass-ceramic top or induction top.

Technical/Functional Characteristics

- Watertight shatterproof glass-ceramic top;
- Cooking zones marked with a 28 cm diameter circular serigraph print;
- 5 kW single zone power;
- Presence detector device and overheat device;
- Heat mode activity indicator light;
- Wok version with 30 cm diameter griddle;
- All round" version available on request

Technical Data

DIMENSIONS	
Width (mm)	800
Depth (mm)	900
Height (mm)	250
Gas connection (Ø)	
Electric connection (V~/HZ)	400V/3N
Cold water connection (Ø)	
Hot water connection (Ø)	

Cold soft water connection (Ø)	
Drain (Ø)	
Gas power (mm)	
Electric power (mm)	20
Plate dimensions (mm)	
Tank capacity (Lt)	
TANK DIMENSIONS	
Internal ovens dimension(mm)	



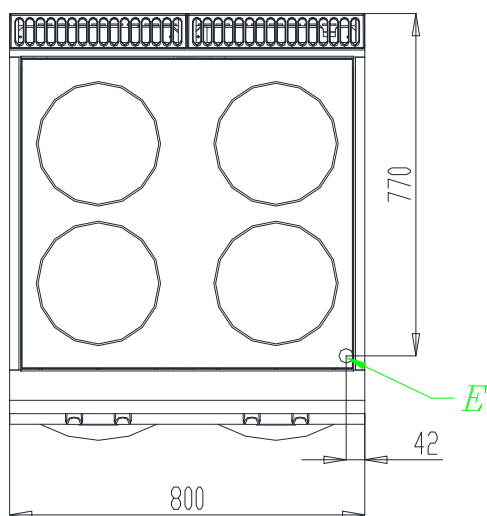
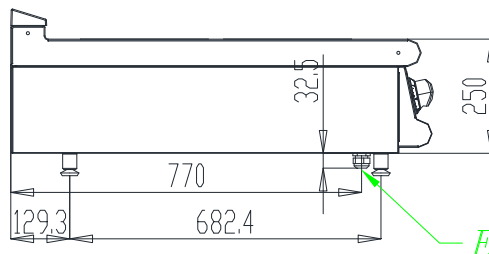
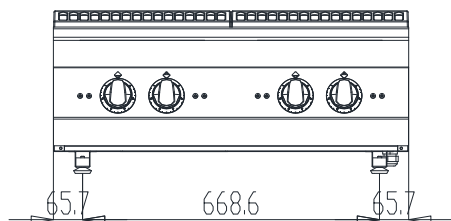
SERIE 900

Code CR0788369

Model 90PC/IND800



Installation Layout



G gas connection | E electric connection | CW cold water connection | HW hot water connection | SW soft cold water connection | D drain

Accessories

Code	Description
8031900340	RIGHT SIDE FINISHING END PIECE FOR 900 LINE
8031900350	LEFT SIDE FINISHING END PIECE FOR 900 LINE
8031900211	SIDE SUPPORTING TIP TOP - RIGHT - 900 SERIE
8031900460	FIXED SIDE TOP - RIGHT - 900 SERIE
8031900221	SIDE SUPPORTING TIP TOP - LEFT - 900 SERIE
8031900470	FIXED SIDE TOP - LEFT - 900 SERIE

