

SERIE 700

Code CR0982899 Model 70BR/E80



ELECTRIC BRATT PAN MANUAL TILTING 43 LT - STAINLESS STEEL TANK

General characteristics

The 700 BARON line is made in compliance with strict European Standards in terms of safety, hygiene, reliability and respect for the environmental and is certified under international standards such as CE, GOST, AGA and others. Stainless steel with scotch-brite finish heightens the aesthetic appeal, and the technological and ergonomic innovation of this equipment. Thanks to great compositional flexibility, cook tops can be matched with oven bases and accessorised with hygienic finishes. Customised line-ups are possible by combining and fixing the equipment back to back, flushed sideways with perfectly sealed connections, or by creating "bridge" structures, offering top solutions to any chef.

Basic range features:

- 2" height adjustable stainless steel feet.
- removable control panel for access, moulded and shaped to avoid withholding dirt.
- recessed, tilted and ergonomic knobs.



BRATT PANS

The tilting bratt pan are widely used in cooking stews, sauces, Bolognese sauce, risotto, omelettes, poached eggs and vegetables, cooking with a drop of oil. Tanks available in stainless steel, iron or cast iron, with manual lifting, 22 or 43 litre capacity.

Technical/functional characteristics

- Manual water fill.
- Self-balanced lid with double steel wall.
- Safety device interrupting power supply when tub is lifted.
- Adjustable temperature from 100 to 280°C.
- Heating element unit made of incoloy stainless steel heating elements.
- Safety thermostat.

Technical Data

Dimensions	
Width (mm)	800
Depth (mm)	700
Height (mm)	870
Gas connection (Ø)	-
Electric connection (V~/HZ)	400
Cold water connection (Ø)	-
Hot water connection (Ø)	-

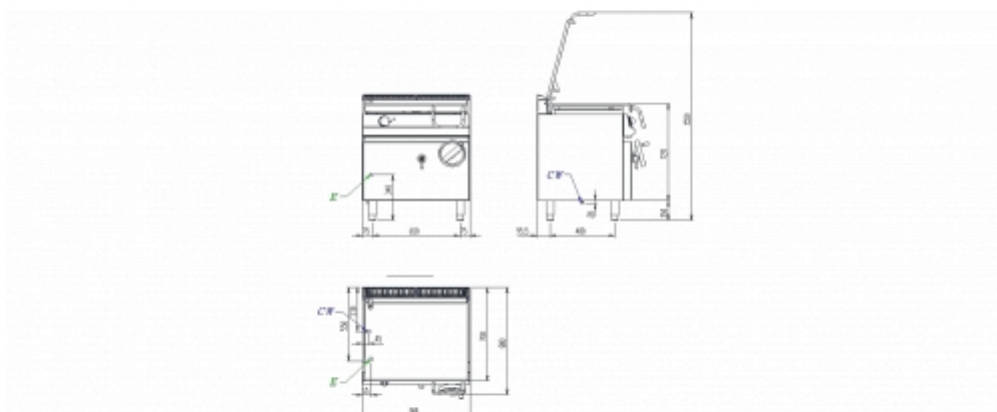
Cold soft water connection (Ø)	-
Drain (Ø)	-
Gas power (KW)	-
Electric power (KW)	0
Plate dimensions (mm)	-
Tank capacity (Lt)	-
TANK DIMENSIONS	-
Internal ovens dimension(mm)	-

SERIE 700

Code CR0982899 **Model** 70BR/E80



ELECTRIC BRATT PAN MANUAL TILTING 43 LT - STAINLESS STEEL TANK



Code	Description
8031920440	REAR SPLASH-BACK (FALSE CHEMNEY) W=800
97432000	KIT 4 SWIVELLING CASTOR (2 WITH BRAKE)