

# Commercial Tapware



**CLEANJET**<sup>®</sup>  
STAINLESS STEEL

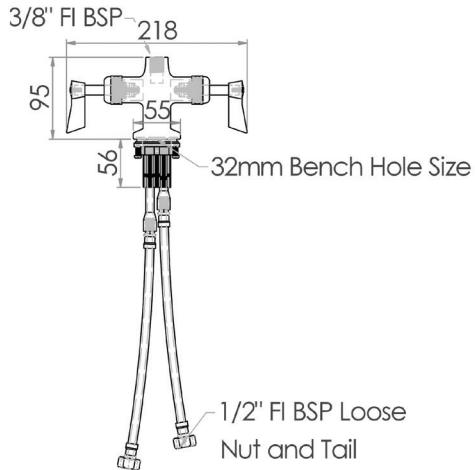
## Dual Hob Mount Tap Body



### T-3M63134

- Full stainless steel construction
- Dual hob tap body includes inlet hoses
- 1/2 turn rising spindles
- Inlet hoses have 1/2" FI BSP loose nut and tail
- 3/8" FI BSP riser connection
- Working pressure range 150 - 500kPa
- Maximum hot water temperature - 80°C

Front



Top



Side

