

Lever Handle Top Assembly

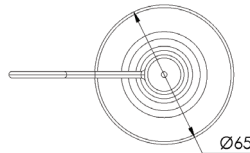
T-3M60200

Wall Top Assembly

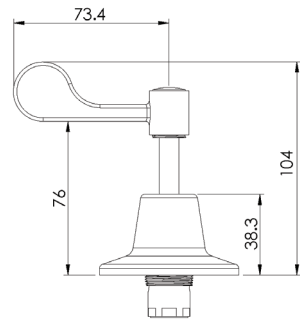
- 1/2 turn ceramic disc lever handles
- Stainless steel outer, brass internals



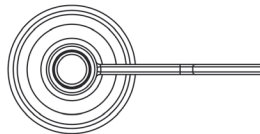
Front



Top



Top



T-3M60210

Basin Top Assembly

- 1/2 turn ceramic disc lever handles
- Stainless steel outer, brass internals



Front

