

# Sinks & Basins



## Round Hand Basin with 300mm Shroud

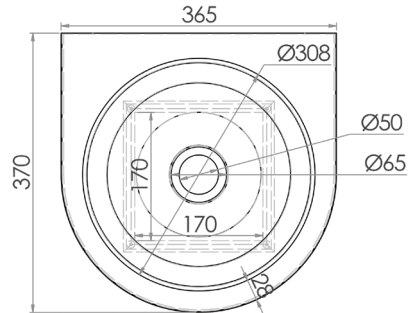


### HBRS

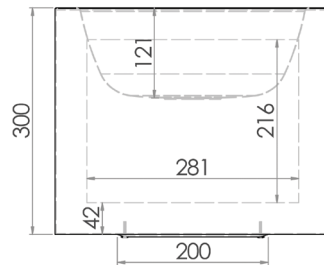
- 6.3 litre capacity
- Constructed from 1mm 304 grade stainless steel
- 300mm shroud
- 300mm bowl diameter
- 40mm outlet – Suits PW40 & SSBW-40
- Integrated wall bracket
- Left or right tap holes on request
- Taphole position and size to be indicated when ordering



Top



Front



Side

