

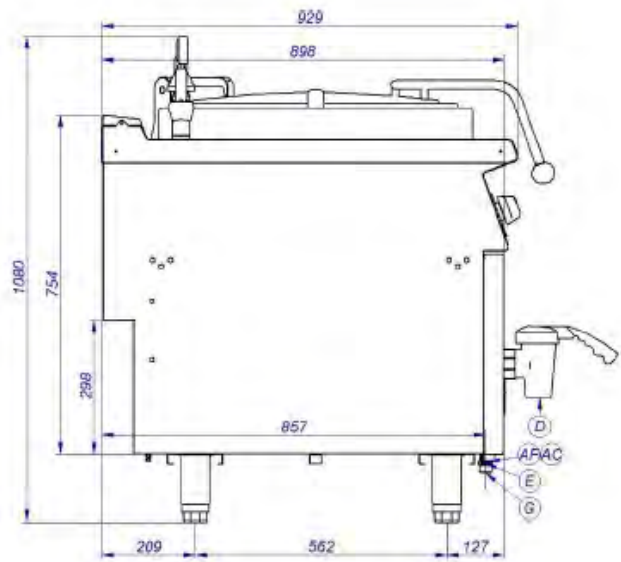
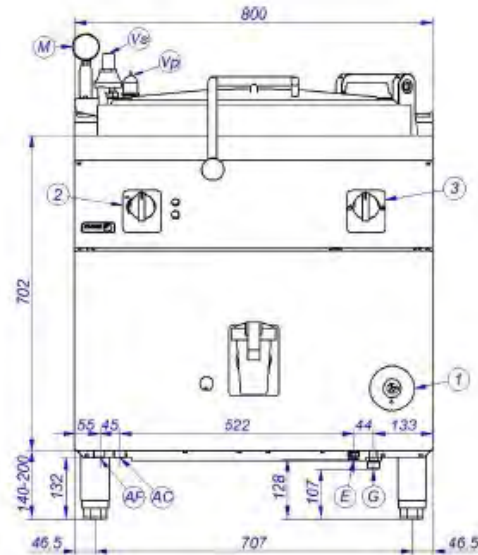
FAGOR GAS KORE 900 SERIES

INDIRECT HEATING BOILING PAN

- 2mm thick AISI-304 stainless steel cooktops
- Double-walled lid, balanced by a hinge with a front handle designed to prevent burns. Diagonal 75° opening makes it possible to keep the lid open in any position
- Stainless steel feet with adjustable height
- Bain-marie chamber
- surrounding the vat with an automatic filling system
- Vat drainage through 2" safety valve



M-G915BM



Code	Gas Type	Dimensions (WxDxH mm)	Capacity (L)	Weight (kg)	Regulator Size	Consumption (MJ/h)	kW
M-G915BM	NG	800x930x850	150	160	3/4"	86.4	24
M-G915BMLPG	LPG	800x930x850	150	160	3/4"	86.4	24

• All 900 Series cooking equipment is supplied to suit Natural Gas connections but can be converted to suit LPG connections on request. Prices and specifications are subject to change without notice. Pictures are for illustrative purpose and final product may differ