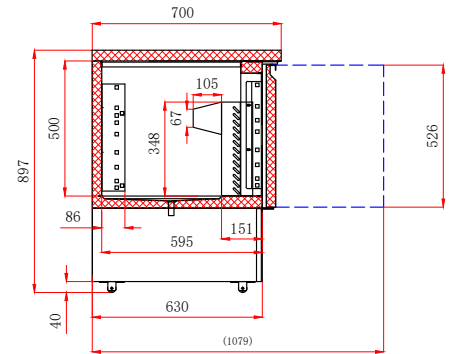
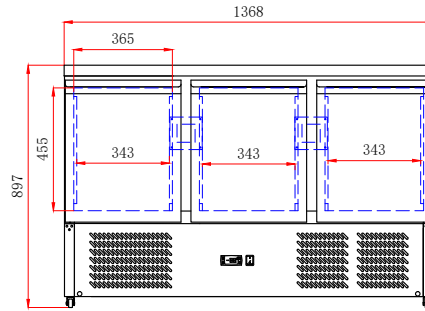


COMPACT WORKBENCH FRIDGES

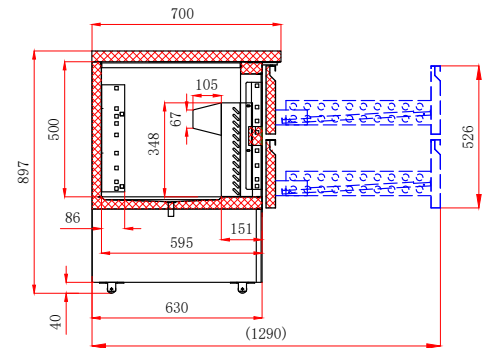
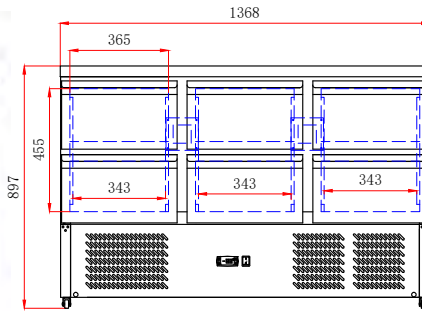
- Stainless steel interior and exterior with rounded corners for easy cleaning
- Replaceable magnetic door seals
- User friendly Digital controls
- Industry leading Fuller Heavy duty drawer runners
- Heavy duty castors
- Fan assisted cooling
- Drawers allows you quick and easy control of products
- Drawers offer you easy and fast removal of pans and products
- Drawers are easy to clean
- GN1/1 shelf or GN1/1 drawer (each drawer takes 1/1, 2 x 1/2 or 3 x 1/3 in up to 100mm deep pan capacity)



XGNS1300B



XGNS1300-6D



Code	Litre	Dimensions (WxDxH mm)	Weight (kg)	Temperature Range °C	Ambient/ RH%	Voltage	Power (W/A)
3 Door							
XGNS1300B	368	1368x700x897	104	+2 to +8	32/60	240	255/10
6 Drawer							
XGNS1300-6D	368	1368x700x897	104	+2 to +8	32/60	240	255/10

Prices and specifications are subject to change without notice. Pictures are for illustrative purpose and final product may differ

FED-X WORK BENCH ACCESSORIES



Code	Description	
Optional Splashback Top - 10mm Height		
XUB62-WBB	Splashback top for 2 door 600mm deep under counter unit, suits XUB6C13S2V and XUB6F13S2V	
XUB63-WBB	Splashback top for 3 door 600mm deep under counter unit, suits XUB6C18S3V and XUB6F18S3V	
XUB64-WBB	Splashback top for 4 door 600mm deep under counter unit, suits XUB6C22S4V	
XUB72-WBB	Splashback top for 2 door 700mm deep under counter unit, suits XUB7C13S2V, XUB7C13G2V and XUB7F13S2V	
XUB73-WBB	Splashback top for 3 door 700mm deep under counter unit, suits XUB7C18S3V, XUB7C18G3V and XUB7F18S3V	
XUB74-WBB	Splashback top for 4 door 700mm deep under counter unit, suits XUB7C22S4V and XUB7C22G4V	
Optional Drawers for Solid Door Units		
XUB-2DRAWER	1/2 Drawer x 2 with Fullerer heavy duty runner	
XUB-3DRAWER	1/3 Drawer x 3 with Fullerer heavy duty runner	
Additional Shelf Set		
XUB6-SHELFSET	Additional shelf set for 600mm deep under counter units, including one shelving and one pair of runner, suits XUB6C13S2V, XUB6C18S3V, XUB6C22S4V, XUB6F13S2V and XUB6F18S3V	
XUB7-SHELFSET	Additional shelf set for 700mm deep under counter units, including one shelving and one pair of runner, suits XUB7C13S2V, XUB7C13G2V, XUB7F13S2V, XUB7C18S3V, XUB7C18G3V, XUB7F18S3V, XUB7C22S4V, XUB7C22G4V, XGNS900B, XGNS1300B, XGNS1300D, XSS7C13S2V and XSS7C18S3V	
XUB8-SHELFSET	Additional shelf set for 800mm deep under counter units, including one shelving and one pair of runner, suits XSS8C15S2V and XSS8C20S3V	
XGNS-SHELFSET	Additional shelf set for saladettes units, including one shelving and one pair of runner, suits XGNS900E, XGNS1300E, XS900GC, XS903GC and XGNS1300S	
Optional Stainless Steel Runners		
GXE-2-7778	Runner Set for Saladettes, suits XGNS900E, XGNS1300E, XS900GC, XS903GC and XGNS1300S	
GXE-2-211210	Runner Set for 600mm deep under counter units, suits XUB6C13S2V, XUB6C18S3V, XUB6C22S4V, XUB6F13S2V and XUB6F18S3V	
GXE-2-3637	Runner Set for 700mm Deep Under Counter Unit, suits XUB7C13S2V, XUB7C13G2V, XUB7F13S2V, XUB7C18S3V, XUB7C18G3V, XUB7F18S3V, XUB7C22S4V, XUB7C22G4V, XGNS900B, XGNS1300B, XGNS1300D, XSS7C13S2V and XSS7C18S3V	
GXE-2-215216	Runner Set for 800mm deep under counter units, suits XSS8C15S2V and XSS8C20S3V	
Legs		
12533110010	Heavy duty Stainless Steel Leg Adjustable Range 140-200mm (per pc)	

Prices and specifications are subject to change without notice. Pictures are for illustrative purpose and final product may differ