



HAND BLENDER XM-52 230/50-60/1 AUS

Professional immersion blender. 570 W.

P/N 3030840



FEATURES AND BENEFITS

- ✓ **All-in-one**
- ✓ Professional hand blender designed for carrying out different preparations without the need for add-on tools.
- ✓ Professional Y-blade, made from tempered steel and with a long-duration cutting edge.
- ✓ Fixed speed.
- ✓ Designed to work in recipients of up to 120 litres.
- ✓ **Maximum comfort for the user**
- ✓ Logical and manageable size.
- ✓ Ergo-design & bi-mat-grip: external casing made in two materials for an ergonomic hold. Anti-slip grip. Optimum inclination of handle, minimising fatigue.
- ✓ Click-on-arm: detachable arm with fast and secure closure.
- ✓ Hood designed to avoid splashes.
- ✓ Intuitive use: very simple operation. LED warning light in two colours to indicate the status of the machine.
- ✓ Possibility of continuous operation.
- ✓ **Built to last**
- ✓ Professional performance: capable of carrying out prolonged work without the casing overheating.
- ✓ Life-plus: equipped with a motor which has passed all of the most demanding usage tests.
- ✓ Studied geometry: casing designed to avoid rolling and falling.
- ✓ Easy to clean: detachable arm, can be cleaned under the tap.
- ✓ Approved by NSF: guaranteed safety and hygiene.
- ✓

SALES DESCRIPTION

Fixed speed motor block.

520 mm detachable arm.

Designed for continuous use in recipients of up to 120 litres.

INCLUDES

- ✓ Fixed speed motor block.
- ✓ MA-52 mixer arm.



sammic | www.sammic.com
Food Service Equipment Manufacturer

Polígono Basarte, 1. phone +34 943 15 72 36
20720 Azkoitia, Spain sales@sammic.com



| | |
|----------|------|
| Project | Date |
| Item | Qty |
| Approved | |

DYNAMIC PREPARATION
COMMERCIAL HAND BLENDERS - XM RANGE

product sheet
updated 15/07/2020



HAND BLENDER XM-52 230/50-60/1 AUS

Professional immersion blender. 570 W.

P/N 3030840

SPECIFICATIONS

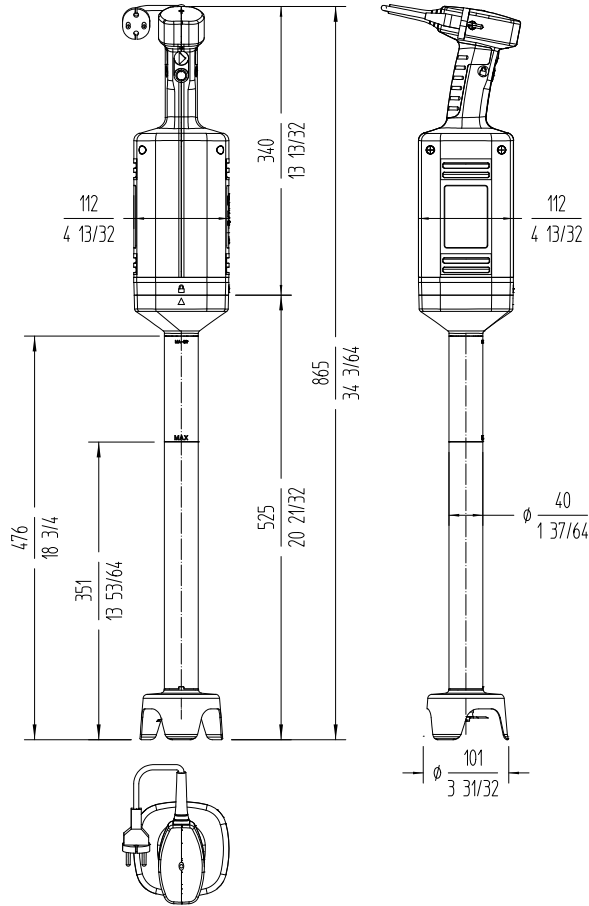
Total loading: 570 W
 Maximum recipient capacity: 120 l
 Motor speed: 12000 rpm
 Blade diameter: 60 mm
 Blade guard diameter: 98.2 mm
 Electrical supply: 230 V / 50-60 Hz / 1 ~
 (3.2 A)

Length

Liquidising arm length: 520 mm
 Total length: 860 mm
 Net weight: 4.85 Kg
 Noise level (1m.): <80 dB(A)

Crated dimensions

575 x 455 x 130 mm
 Gross weight: 5.4 Kg.



DYNAMIC PREPARATION
 COMMERCIAL HAND BLENDERS - XM RANGE

sammic | www.sammic.com
 Food Service Equipment Manufacturer

Polígono Basarte, 1. phone +34 943 15 72 36
 20720 Azkoitia, Spain sales@sammic.com



| | |
|----------|------|
| Project | Date |
| Item | Qty |
| Approved | |

product sheet
 updated 15/07/2020