

# TUC-93D-2-HC

 Deep Undercounter Refrigerator, 2 Drawers + 2 Solid Swing Doors



Dimensions		Build		Technical	
External Width (mm)	2373	Door Description	2 Solid Swing Doors	Temperature Holding	0.5 : 3.3°C
External Depth (mm)	818	Number of Drawers	2	Refrigerant	R290
External Height (mm)	839	Drawers location	Left (standard) or Centre/Right (option)	Voltage / Frequency / Phase	220-240V/50-60Hz/1
Exclusions	Depth does not include 26 mm for rear bumpers.	Exterior Construction	Stainless steel front & countertop, aluminium sides & rear	Amps	1.5
Net Volume (Litres)	608	Interior Construction	Clear coated aluminium, stainless steel base	Wattage	345
Gross Volume (Litres)	875	Air Intake Position	Front	Defrost Type	Auto
Supplied Shelves	4	Ventilation Position	Front		
Shelf Size (L x D mm)	Left & Right: 600 x 712. Central: 648 x 712	Clearance Required	Zero back and sides		
Internal Net Height (mm)	550	Cord Length (Meters)	2.13		
Per Drawer Capacity (max depth mm)	1x 2/1 GN (200)	Standard w/ Locks	Not standard (SPEC3 option)		
Unpackaged Weight (kg)	250				
Packaged Weight (kg)	261				
Packaged Dimensions (W x D x H mm)	2540 x 966 x 1245				
Supplied Supports	ø 64 mm castors (83 mm height) (reduced height option available, totals 810 mm)				



Specifications subject to change without notice.  
 Technical data above related to energy use based on testing of 50Hz or Dual Frequency models  
 Chart dimensions rounded up to the next whole millimeter (inches rounded up to the 1/8")

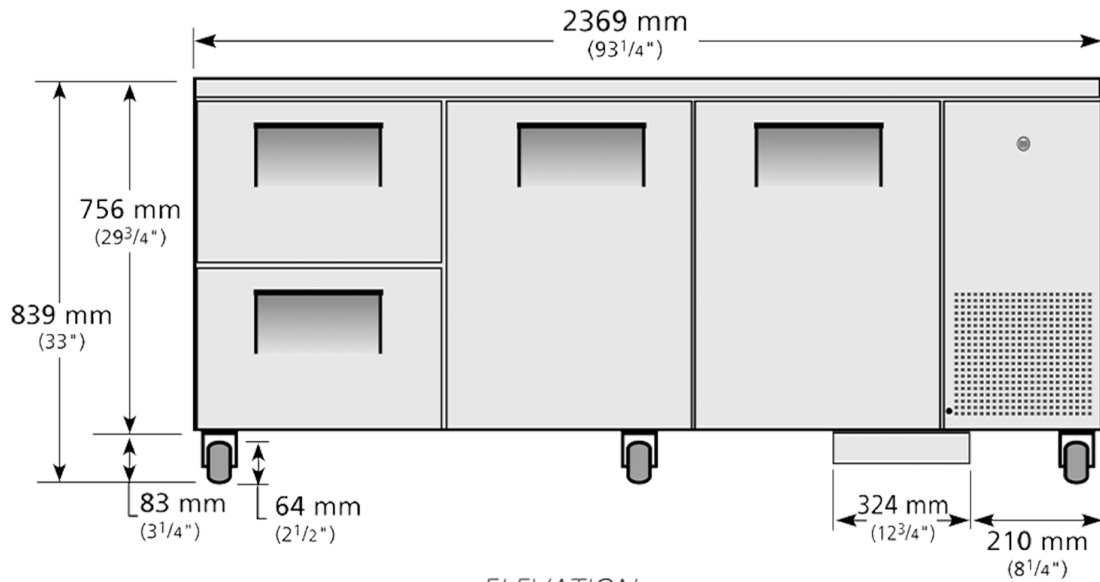
UK & Ireland [0800 783 2049](tel:08007832049)  
 EMEA [+41 61 563 07 05](tel:+41615630705)  
 Australia [+61 2 9619 9999](tel:+61296199999)

[TFIUK@truemfg.com](mailto:TFIUK@truemfg.com)  
[TrueCHCustomerService@truemfg.com](mailto:TrueCHCustomerService@truemfg.com)  
[TrueRefAus@truemfg.com](mailto:TrueRefAus@truemfg.com)

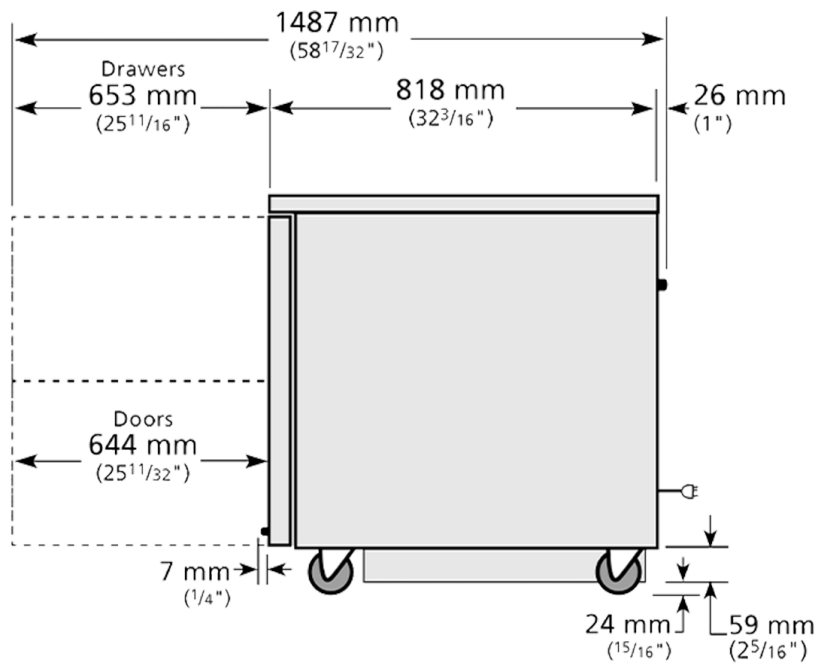


# TUC-93D-2-HC

🇺🇸 Deep Undercounter Refrigerator, 2 Drawers + 2 Solid Swing Doors



ELEVATION



RIGHT VIEW



Specifications subject to change without notice.  
 Technical data above related to energy use based on testing of 50Hz or Dual Frequency models  
 Chart dimensions rounded up to the next whole millimeter (inches rounded up to the 1/8")

UK & Ireland [0800 783 2049](tel:08007832049)  
 EMEA [+41 61 563 07 05](tel:+41615630705)  
 Australia [+61 2 9619 9999](tel:+61296199999)

[TFIUK@truemfg.com](mailto:TFIUK@truemfg.com)  
[TrueCHCustomerService@truemfg.com](mailto:TrueCHCustomerService@truemfg.com)  
[TrueRefAus@truemfg.com](mailto:TrueRefAus@truemfg.com)

