

TBR72-RISZ1-L-B-SSS-2

 Bar Refrigerator, Black Ext, 3 Solid Swing Doors



Dimensions		Build		Technical	
External Width (mm)	1829	Door Description	4 portes pleines battantes	Temperature Holding	0.5 : 3.3°C
External Depth (mm)	631	Exterior Construction	Black powder coated steel front. Matching black coated Aluminium sides & rear. Stainless steel countertop.	Refrigerant	R290
External Height (mm)	881	Interior Construction	Stainless Steel	Voltage / Frequency / Phase	220-240V/50-60Hz/1
Exclusions	Depth does not include 35 mm for door handle. Height does not include 7 mm for leg levelers.	Air Intake Position	Front	Amps	1.3
Gross Volume (Litres)	660	Ventilation Position	Front	Wattage	299
Supplied Shelves	9	Clearance Required	Zero back and sides	Defrost Type	Auto
Shelf Size (L x D mm)	450 x 458	Cord Length (Meters)	3.04		
Internal Net Height (mm)	730	Internal Lighting	LED		
Unpackaged Weight (kg)	187	Standard w/ Locks	standard		
Packaged Weight (kg)	198				
Packaged Dimensions (W x D x H mm)	2007 x 724 x 1067				
Supplied Supports	Leg Levellers (Castors supplied separate)				



Specifications subject to change without notice.
 Technical data above related to energy use based on testing of 50Hz or Dual Frequency models
 Chart dimensions rounded up to the next whole millimeter (inches rounded up to the 1/8")

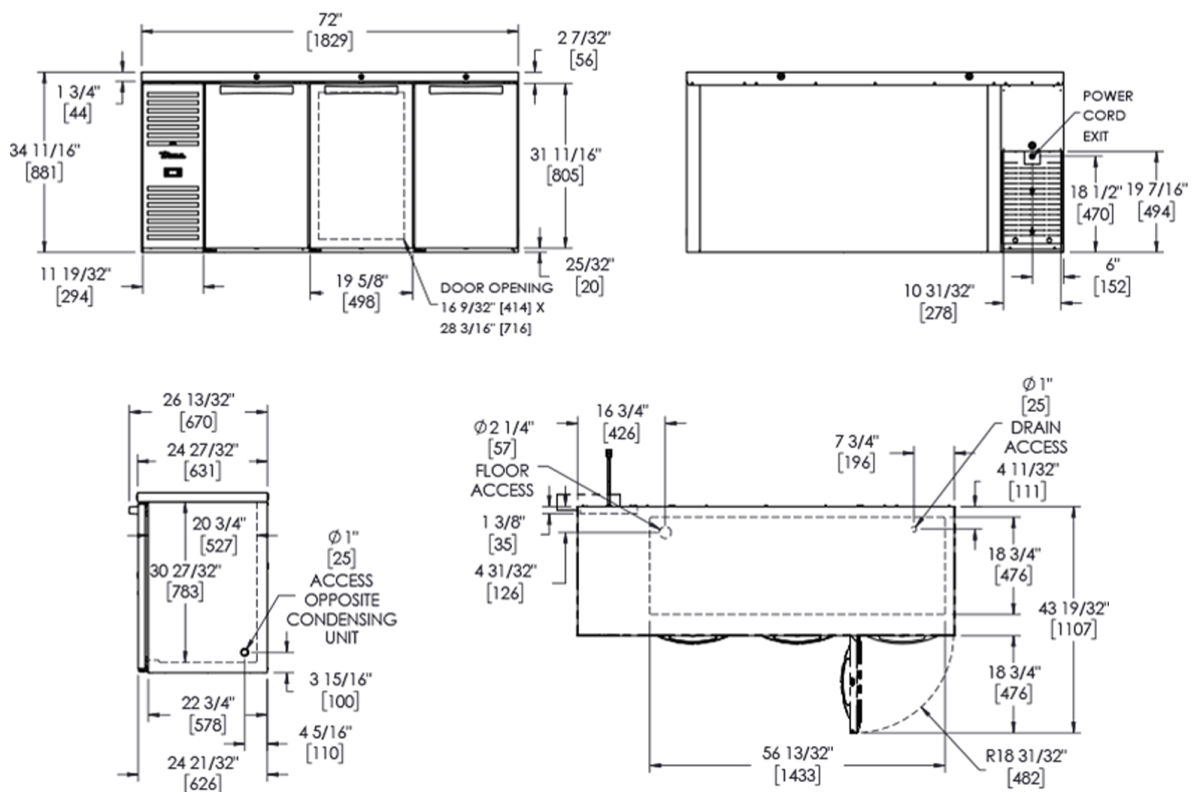
UK & Ireland [0800 783 2049](tel:08007832049)
 EMEA [+41 61 563 07 05](tel:+41615630705)
 Australia [+61 2 9619 9999](tel:+61296199999)

TFIUK@truemfg.com
TrueCHCustomerService@truemfg.com
TrueRefAus@truemfg.com



TBR72-RISZ1-L-B-SSS-2

Bar Refrigerator, Black Ext, 3 Solid Swing Doors



Specifications subject to change without notice. Technical data above related to energy use based on testing of 50Hz or Dual Frequency models Chart dimensions rounded up to the next whole millimeter (inches rounded up to the 1/8")

UK & Ireland **0800 783 2049**
 EMEA **+41 61 563 07 05**
 Australia **+61 2 9619 9999**

TFIUK@truemfg.com
TrueCHCustomerService@truemfg.com
TrueRefAus@truemfg.com

