



# VACUUM PACKING MACHINE SU-604GP CC 230-400/50/3N

Floorstanding unit. 40m<sup>3</sup>/h. 465+465 mm.



P/N 1140821



## FEATURES AND BENEFITS

- ✓ Powered by Busch.
- ✓ Vacuum controlled by sensor.
- ✓ Vacuum PLUS.
- ✓ LCD colour screen: all information at a glance.
- ✓ Backlit touch keyboard.
- ✓ Programmable: 25-programme memory. Blocking option.
- ✓ "Pause" button.
- ✓ Phased vacuum programme.
- ✓ Detection of the evaporation of liquids.
- ✓ Double seal.
- ✓ Cordless sealing bar.
- ✓ Progressive decompression.
- ✓ Vac-Norm ready with Automatic decompression.
- ✓ Stainless steel body and chamber.
- ✓ Damped transparent lid of high durability polycarbonate.
- ✓ Dry-oil programme for drying the pump.
- ✓ Working hours counter for oil changes.
- ✓ Safety system with protection against vacuum failure.
- ✓ NSF-listed.

## SALES DESCRIPTION

- Two sealing bars (465+465 mm.)
- 40 m<sup>3</sup>/h Busch vacuum pump.
- Vacuum controlled by sensor.

## INCLUDES

- ✓ Filling plate
- ✓ Inert gas flush
- ✓ Bluetooth connectivity
- ✓ Printer connection

## ACCESSORIES

- Bag cutting kits
- Filling plates
- Liquid insert plates
- Vac-norm external vacuum kits
- Vac-norm containers
- Smooth bags for vacuum packing
- CG2 Desktop printer for SU vacuum packing machines \*
- Thermal labels for CG2 printer
- RB Desktop printer for SU vacuum packing machines \*
- Thermal transfer labels for printer



**sammic** | www.sammic.com  
Food Service Equipment Manufacturer

Polígono Basarte, 1. phone +34 943 15 72 36  
20720 Azkoitia, Spain sales@sammic.com



Project	Date
Item	Qty
Approved	

FOOD PRESERVATION AND SOUS-VIDE  
VACUUM PACKING MACHINES - "SENSOR ULTRA" LINE

product sheet  
updated 22/03/2019



# VACUUM PACKING MACHINE SU-604GP CC 230-400/50/3N

Floorstanding unit. 40m<sup>3</sup>/h. 465+465 mm.



P/N 1140821

## SPECIFICATIONS

Pump capacity: 40 m<sup>3</sup>/h  
 Bar length: 465 mm + 465 mm  
 Total loading: 1100 W  
 Vacuum pressure (maximum): 0.5 mbar  
 Electrical supply: 400 V-230 V / 50 Hz / 3N  
 ~ (5.9 A)

### Internal dimensions

- ✓ Width: 672 mm
- ✓ Depth: 481 mm
- ✓ Height: 200 mm

### External dimensions (WxDxH)

- ✓ Width: 740 mm
- ✓ Depth: 566 mm
- ✓ Height: 997 mm

Net weight: 145 Kg

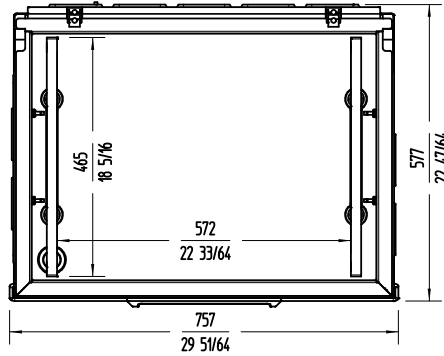
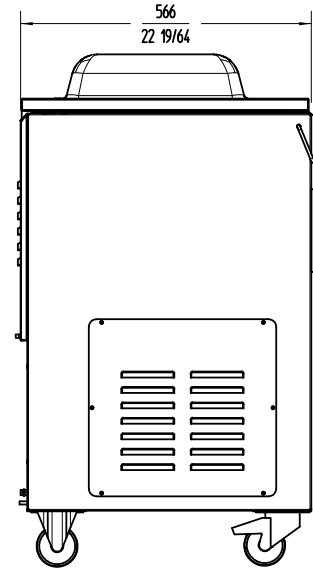
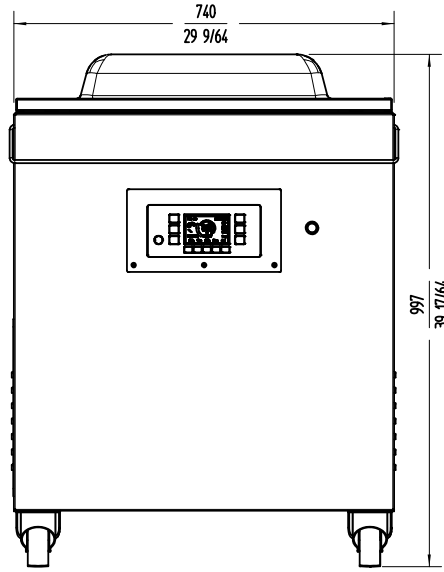
Noise level (1m.): -- dB(A)

Background noise: 32 dB(A)

### Crated dimensions

670 x 830 x 1200 mm

Gross weight: 116 Kg.



FOOD PRESERVATION AND SOUS-VIDE  
VACUUM PACKING MACHINES - "SENSOR ULTRA" LINE

**sammic** | www.sammic.com  
Food Service Equipment Manufacturer

Polígono Basarte, 1. phone +34 943 15 72 36  
20720 Azkoitia, Spain sales@sammic.com



Project	Date
Item	Qty
Approved	