


PRODUCT ADVANTAGES

- Protects machine against limescale - extends maintenance intervals and service life
- Economic low cost version
- Integrated blending system in control head for adjustment to local water hardness
- Sturdy control head
- Optimises the effectiveness of detergents
- Automatic regeneration of water softening system
- Programmable regeneration times
- Operates with cold or warm water up to 65°C
- Compact dimensions, including rollers for flexible installation

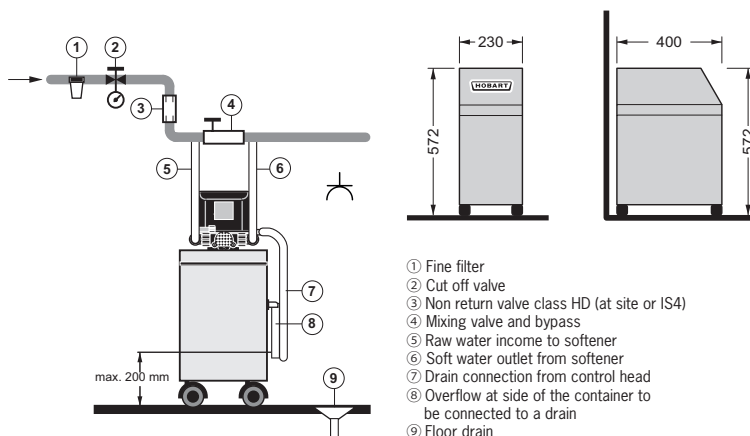
TECHNICAL DATA

Power supply	230 / 50 / 1
Weight (gross / net)	14 / 12 kg
Maximum hardness	30 °dH*
Capacity salt container	10 kg
Regeneration time	30 min
Salt consumption per regeneration	0.5 kg
Supply capacity	
Continuously	10 l/min
Maximum	15 l/min

* The water treatment system must be connected to the drinking water supply system by means of a backflow preventer. Depending on local water quality, it might be advisable to install an upstream fine filter. An overflow hose for the tank can be installed on-site.

CONNECTIONS

Power Cord 230 V	1,500 mm
Raw water connection	R 3/4"
Pure water outlet	R 3/4"
Flow pressure	3 - 6 bar
Max. supply water temperature	65 °C

DIMENSIONAL DRAWING


- ① Fine filter
- ② Cut off valve
- ③ Non return valve class HD (at site or IS4)
- ④ Mixing valve and bypass
- ⑤ Raw water income to softener
- ⑥ Soft water outlet from softener
- ⑦ Drain connection from control head
- ⑧ Overflow at side of the container to be connected to a drain
- ⑨ Floor drain