

## ELECTRIC BOILING PAN - INDIRECT HEATING 50 LT

### QUEEN9

- AISI 304 stainless-steel bases and worktops, Scotch-Brite finish
- Depth of 900 mm for high power and performance
- Catalogue offers more than 350 standard models
- Worktop, base cabinet, base cabinet with doors and oven versions
- 20/10 worktop thickness
- Twin-piece knobs prevent infiltration of dirt and have an IPX5 water ingress protection rating
- Gas kitchens having burners with various configurations and power ratings: 3.5 kW - 5.7 kW, 7 kW and 10 kW
- Double-ring burners for 7 and 10 kW models
- Wide range of accessories



### Technical / functional characteristics

- Water filled via two solenoid valves;
- Water drained with 2" valve
- AISI 316 stainless steel container bottom
- No water in the interspace indicator light;
- Safety thermostat to interrupt heating until restore of sufficient water level;
- 3 steel heating elements outside the container bottom, or 2 armoured heating element units inside the interspace.

| DIMENSIONS                    |                  |
|-------------------------------|------------------|
| Width (mm)                    | 600              |
| Depth (mm)                    | 900              |
| Height (mm)                   | 900              |
| Gas connection (Ø)            |                  |
| Electric connection (V/~ /Hz) | 400V/3N 50-60 Hz |
| Cold water connection (Ø)     | 3/4"             |
| Hot water connection (Ø)      |                  |

|                                |     |
|--------------------------------|-----|
| Cold soft water connection (Ø) |     |
| Drain (Ø)                      | 2"  |
| Gas power (Mj/hr)              |     |
| Electric power (kW)            | 9.6 |
| Plate dimensions (mm)          |     |
| Tank capacity (L)              | 50  |
| Tank dimensions (mm)           |     |
| Internal oven dimensions (mm)  |     |

MODEL

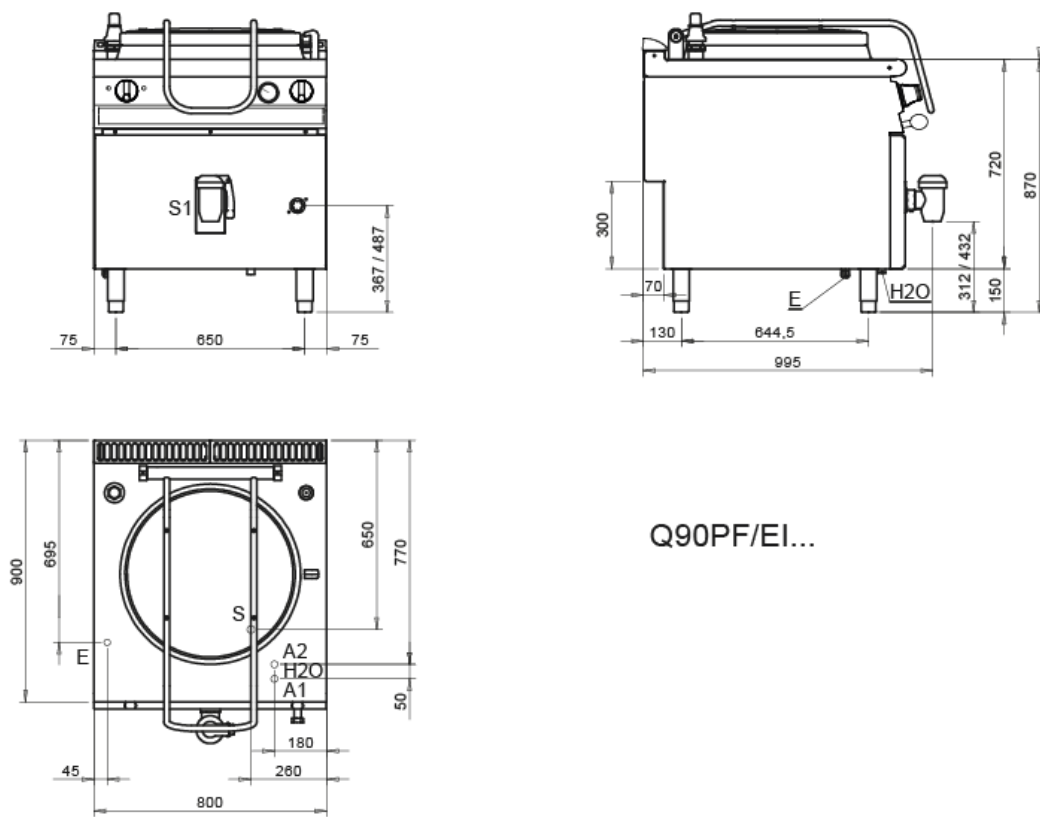
Q90PF/EI650

CODE

CR1018089

SCHEMA DI INSTALLAZIONE - INSTALLATION DIAGRAM - INSTALLATIONSPLAN - SCHÉMA D'INSTALLATION - ESQUEMA DE INSTALACION - INSTALLATIESCHEMA - IINSTALLATIONSRIJNINGAR

MISURE IN mm - DIMENSIONS IN mm - ABMESSUNGEN IN mm  
MESURES EN mm - MEDIDAS EN mm - MATEN IN mm



Legenda - Legende - Key - Légende - Leyenda - Legenda

- H20 Attacchi arrivo acqua - Wasseranschluss - Water inlet - Arrivée eau - Union de agua - Wateraansluiting  
A1 = Calda - Heiss - Warm - Chaude - Caliente - Warm EN ISO 228-1 G 3/4  
A2 = Fredda - Kalt - Cold - Froid - Fria - Koude EN ISO 228-1 G 3/4
- E Pressacavo entrata linea elettrica - Sopfbuchse - Electric cable stress relief  
Presse étoupe de câble él. - Elektrische kabelwartel
- S Scarico acqua intercapedine - Wasserablauf Zwischenraum - Jacket water drain - Evacuation eau double enveloppe - Descarga de agua intersticios - Afvoer water tussenruimte EN ISO 228-1 G 1
- S1 Scarico acqua - Wasserablauf - Water outlet - Vidange de l'eau - Desaguadero - Waterafaanluiting 2"