



POTATO PEELER PI-20 230/50/1

Stainless steel construction commercial potato peeler. 20 Kg. / 44 pounds load per cycle.



P/N 1000661



DYNAMIC PREPARATION
COMMERCIAL POTATO PEELERS

SALES DESCRIPTION

Not only to peel potatoes, but also suitable to peel carrots and other similar products.

High capacity and production owing to lateral stirrers covered with silicon carbide abrasive (approved by NSF). Aluminium base plate lined with silicon carbide abrasive (approved by NSF). Construction in stainless steel.

- ✓ Auto-drag of waste to the drain.
- ✓ Energy efficiency owing to engine optimisation.
- ✓ Lifiable transparent polycarbonate cover, complete with locking and safety device.
- ✓ Aluminium door with hermetic seal and safety device.
- ✓ Waterproof control board (IP65): Improved reliability against moisture and water splash.
- ✓ Water inlet system with non-return air break.
- ✓ Auxiliary contact for external electric valve.
- ✓ 0-6min timer and possibility of continuous operation.
- ✓ Removable plate for easy cleaning.

ACCESSORIES

- Stands for potato peelers
- Filters for potato peelers



sammic | www.sammic.com
Food Service Equipment Manufacturer

Polígono Basarte, 1. phone +34 943 15 72 36
20720 Azkoitia, Spain sales@sammic.com



Project	Date
Item	Qty
Approved	

product sheet
updated 18/06/2021



POTATO PEELER PI-20 230/50/1

Stainless steel construction commercial potato peeler. 20 Kg. / 44 pounds load per cycle.



P/N 1000661

SPECIFICATIONS

Hourly production: 400 Kg / 480 Kg
Capacity per load: 20 Kg
Timer (min-max): 0' - 6'
Total loading: 550 W
Electric power supply (V) : 230 V / 50 Hz / 1 ~ / (3.5 A)
Plug: -

External dimensions (WxDxH)

- ✓ Width: 433 mm
- ✓ Depth: 635 mm
- ✓ Height: 786 mm

External dimensions with stand

- ✓ Width with stand: 433 mm
- ✓ Depth with stand: 638 mm
- ✓ Height with stand: 1155 mm

Net weight: 35.8 Kg

Noise level (1m.): 70 dB(A)

Background noise: 32 dB(A)

Water Intake: 12 mm

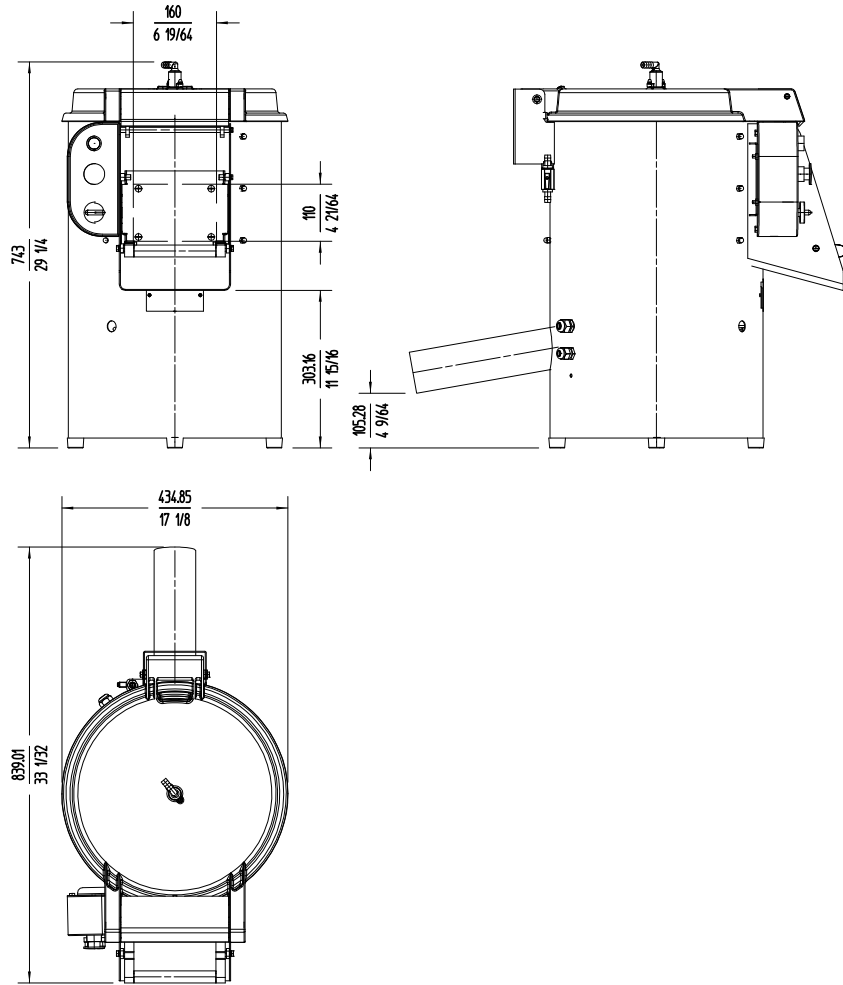
Drain diameter: 80 mm

Crated dimensions

670 x 470 x 930 mm

Volume Packed: 0.292857 m³

Gross weight: 43.1 Kg.



DYNAMIC PREPARATION
COMMERCIAL POTATO PEELERS

sammic | www.sammic.com
Food Service Equipment Manufacturer

Polígono Basarte, 1. phone +34 943 15 72 36
20720 Azkoitia, Spain sales@sammic.com



Project

Date

Item

Qty

Approved

product sheet
updated 18/06/2021