



Register Online!
(see page 2)

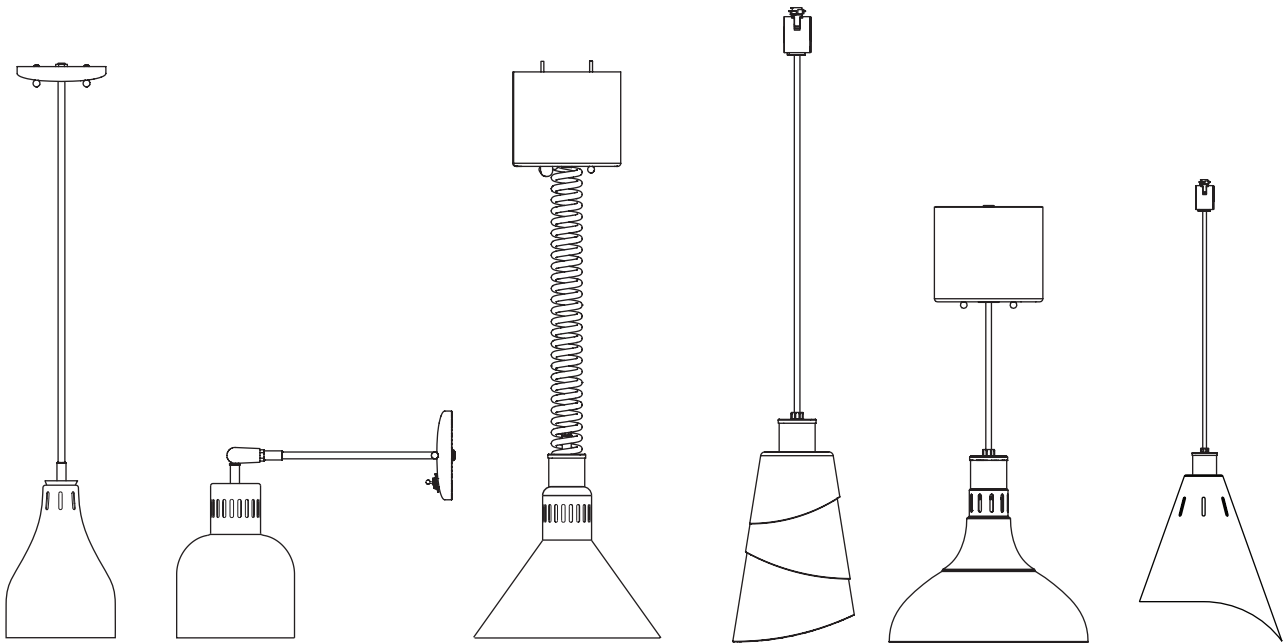
S'inscrire en ligne!
(voir page 16)



Decorative Lamps Lampes Décoratives

DL Series • Série DL

Installation and Operating Manual Manuel d'installation et d'utilisation



⚠ WARNING

Do not operate this equipment unless you have read and understood the contents of this manual! Failure to follow the instructions contained in this manual may result in serious injury or death. This manual contains important safety information concerning the maintenance, use, and operation of this product. If you're unable to understand the contents of this manual, please bring it to the attention of your supervisor. Keep this manual in a safe location for future reference.

English = p 2

⚠ ADVERTENCIA

No opere este equipo al menos que haya leído y comprendido el contenido de este manual! Cualquier falla en el seguimiento de las instrucciones contenidas en este manual puede resultar en un serio lesión o muerte. Este manual contiene importante información sobre seguridad concerniente al mantenimiento, uso y operación de este producto. Si usted no puede entender el contenido de este manual por favor pregunte a su supervisor. Almacenar este manual en una localización segura para la referencia futura.

⚠ AVERTISSEMENT

Ne pas utiliser cet équipement sans avoir lu et compris le contenu de ce manuel ! Le non-respect des instructions contenues dans ce manuel peut entraîner de graves blessures ou la mort. Ce manuel contient des informations importantes concernant l'entretien, l'utilisation et le fonctionnement de ce produit. Si vous ne comprenez pas le contenu de ce manuel, veuillez le signaler à votre supérieur. Conservez ce manuel dans un endroit sûr pour pouvoir vous y référer plus tard.

Français = p 17

Important Owner Information	2	Operation	13
Introduction	2	General.....	13
Important Safety Information	3	Operating Retractable Units.....	13
Model Description	4	Maintenance	14
Specifications	4	General.....	14
Electrical Rating Chart.....	4	Daily Cleaning.....	14
Dimensions — Lamp Shade.....	5	Replacing an Infrared Bulb.....	14
Model Designation	6	Options and Accessories	14
Installation	7	Troubleshooting Guide	15
General.....	7	Limited Warranty	16
Assembly.....	8	Authorized Parts Distributors	Back Cover
Installing C, S, R, and RC Mount Units.....	9		
Installing TS Mount Units (UL Recognized).....	9		
Installing Track Mount Units (CT, ST, RT, and RCT).....	10		
Adjusting the Stem.....	12		

IMPORTANT OWNER INFORMATION

Record the model number, serial number, voltage, and purchase date of the unit in the spaces below (specification label located inside the lamp shade). Please have this information available when calling Hatco for service assistance.

Model No. _____

Serial No. _____

Voltage _____

Date of Purchase _____

Register your unit!

• Completing online warranty registration will prevent delay in obtaining warranty coverage. Access the Hatco website at www.hatcocorp.com, select the *Support* pull-down menu, and click on "Warranty".

Business

Hours: 7:00 AM to 5:00 PM Monday–Friday,
Central Time (CT)
(Summer Hours: June to September—
7:00 AM to 5:00 PM Monday–Thursday
7:00 AM to 4:00 PM Friday)

Telephone: 414-671-6350

E-mail: support@hatcocorp.com



24 Hour 7 Day Parts and Service Assistance available in the United States and Canada by calling 414-671-6350.

Additional information can be found by visiting our web site at www.hatcocorp.com.

INTRODUCTION

Hatco Decorative Lamps are designed to hold food at serving temperatures as well as enhance restaurant decor. Decorative Lamps provide light and supplemental heat. A "Luminaire" lamp (lighting only) is available for applications that do not require supplemental heat but would benefit from the style and focus of a Decorative Lamp.

Decorative Lamps are quality built to meet the demands of foodservice operations and provide years of trouble-free performance.

Hatco Decorative Lamps are products of extensive research and field testing. The materials used were selected for maximum durability, attractive appearance, and optimum performance. Every unit is inspected and tested thoroughly prior to shipment.

This manual provides the installation, safety, and operating instructions for Decorative Lamps. Hatco recommends all installation, operating, and safety instructions appearing in this manual be read prior to installation or operation of a unit.

Safety information that appears in this manual is identified by the following signal word panels:



WARNING indicates a hazardous situation which, if not avoided, could result in death or serious injury.



CAUTION indicates a hazardous situation which, if not avoided, could result in minor or moderate injury.



NOTICE is used to address practices not related to personal injury.



Read the following important safety information before using this equipment to avoid serious injury or death and to avoid damage to equipment or property.

WARNING

ELECTRIC SHOCK HAZARD:

- Unit must be installed by a qualified electrician. Installation must conform to all local electrical codes. Installation by unqualified personnel will void unit warranty and may lead to electric shock or burn, as well as damage to unit and/or its surroundings.
- Turn OFF power at mounting location before installation of unit.
- Failure to ground unit properly could result in serious personal injury or death.
- Turn OFF power at fused disconnect switch/circuit breaker and allow unit to cool before performing any cleaning, adjustments, or maintenance.
- DO NOT submerge or saturate with water. Unit is not waterproof. Do not operate if unit has been submerged or saturated with water.
- Unit is not weatherproof. Locate the unit indoors.
- Do not steam clean or use excessive water on unit.
- Do not install track system above a steam table or other steam generating appliance.
- This unit is not “jet-proof” construction. Do not use jet-clean spray to clean this unit.
- This unit must be serviced by qualified personnel only. Service by unqualified personnel may lead to electric shock or burn.
- Use only Genuine Hatco Replacement Parts when service is required. Failure to use Genuine Hatco Replacement Parts will void all warranties and may subject operators of the equipment to hazardous electrical voltage, resulting in electrical shock or burn. Genuine Hatco Replacement Parts are specified to operate safely in the environments in which they are used. Some aftermarket or generic replacement parts do not have the characteristics that will allow them to operate safely in Hatco equipment.

FIRE HAZARD:

- Locate unit a minimum of 3” (76 mm) from combustible walls and materials. If safe distances are not maintained, discoloration or combustion could occur.
- DL standard watt lamps (250 W bulb) and DLL luminaire lamps (up to 100 W bulb) must have a minimum clearance of 16” (406 mm) above a combustible surface or 5” (127 mm) above a non-combustible surface. If safe distances are not maintained, discoloration or combustion could occur.
- DLH high watt lamps (375 W bulb) must have a minimum of 27” (686 mm) above a combustible surface or minimum clearance of 17” (432 mm) above a non-combustible surface. If safe distances are not maintained, discoloration or combustion could occur.
- Do not install a 375 W bulb into a DL standard watt lamp or a DLL luminaire lamp.

WARNING

Hatco Corporation is not responsible for actual food product serving temperature. It is the responsibility of the user to ensure that food product is held and served at a safe temperature.

Make sure all operators have been instructed on the safe and proper use of the unit.

This unit is not intended for use by children or persons with reduced physical, sensory, or mental capabilities. Ensure proper supervision of children and keep them away from unit.

This unit has no “user-serviceable” parts. If service is required on this unit, contact an Authorized Hatco Service Agent or contact the Hatco Service Department at 414-671-6350.

CAUTION

BURN HAZARD: Some exterior surfaces on unit will get hot. Use caution when touching these areas.

When installing track lighting systems, use only track assemblies approved by Hatco.

Track lighting systems are not intended for use with a power supply cord or convenience receptacle adapter.

The maximum capacity of track lighting systems is 20 A per circuit. Check fuses and circuits carefully before installing. The 20 A maximum includes all lights and appliances connected to circuit (120 V only, maximum 1920 W per any length track).

Use caution when drilling during track installation to avoid damaging buss bar insulators. If insulators are damaged, discard the section—Do not use.

For units not equipped with a Hatco-supplied switch, a qualified electrician must choose an appropriate switch for the application based on amperage and in-rush rating of the switch.

All canopy mount units are designed to fit a standard 4” (102 mm) octagonal junction box. Junction box must be anchored securely to building structure.

Multiple installations of Decorative Lamps must have a minimum clearance of 12” (305 mm) on center of shade between each unit.

NOTICE

Damage to any countertop material caused by heat generated from Hatco equipment is not covered under the Hatco warranty. Contact manufacturer of countertop material for application information.

Retractable models and track mounted units must be installed on a flat, horizontal ceiling or damage to unit could occur.

Do not let go of lamp fixture while cord is retracting. Damage to unit and/or bulb could occur.

NOTICE

Hatco Decorative Lamps are designed and built to fit specific lighting systems. Do not use on any other track lighting system than what is supplied by Hatco.

Use non-abrasive cleaners and cloths only. Abrasive cleaners and cloths could scratch the finish of the unit, marring its appearance and making it susceptible to soil accumulation.

NOTICE

Do not use ammonia-based cleaners on unit.

This unit is intended for commercial use only—NOT for household use.

MODEL DESCRIPTION

All Models

All Decorative Lamps are constructed of aluminum and steel and include heavy-duty mounting hardware. Each Decorative Lamp is available with an accessory bulb contained in a vented shade. The shade is available in powdercoated *Designer* colors, Gloss finishes, or Plated finishes.

DL Models (Standard Wattage)

Standard wattage models (DL) use a 250 W infrared bulb (bulb not included) and include a built-in I/O (on/off) switch located at the stem or canopy for independent control. DL units may be ordered with the optional remote switch (REM) or with no switch.

DLL Models (Luminaire)

Luminaire models (DLL) use up to a 100 W bulb (bulb not included) and include a built-in I/O (on/off) switch located at the stem or canopy for independent control. DLL units may be ordered with the optional remote switch (REM) or with no switch.

DLH Models (High Wattage)

High wattage models (DLH) use a 375 W infrared bulb (bulb not included) and are available with either the remote switch (REM) or with no switch.

CAUTION

For units NOT equipped with a Hatco-supplied switch, a qualified electrician must choose an appropriate switch for the application based on amperage and in-rush rating of the switch.

Accessories are available for the Decorative Lamps. Refer to the OPTIONS AND ACCESSORIES section in this manual for details.

NOTE: Some track features not offered through Hatco may be purchased directly from the track manufacturer or distributor.

SPECIFICATIONS

Electrical Rating Chart

Model	Volts	Watts	Amps
DL Series	120	250	2.1
DLH Series	120	375	3.1

Model	Volts	Watts	Amps
DLL Series	120	100	0.8

NOTE: The specification label is located inside the lamp shade. See the label for the serial number and verification of unit electrical information.

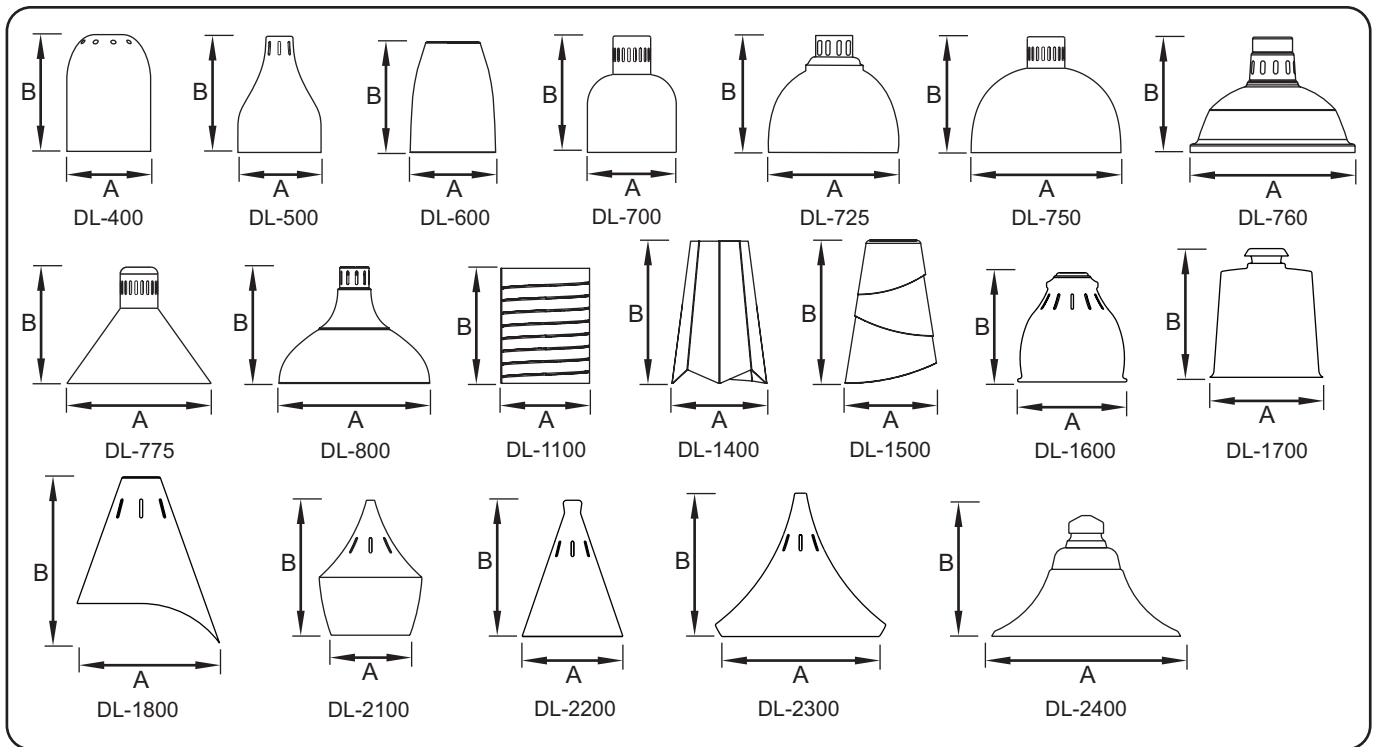
Dimensions — Lamp Shade

Lamp Shade Style	Width (A)	Height (B)
DL-400	6-1/8" (156 mm)	8-1/2" (216 mm)
DL-500	6-1/8" (156 mm)	8-1/2" (216 mm)
DL-600	6-1/4" (159 mm)	8-1/2" (216 mm)
DL-700	6-1/2" (165 mm)	8-1/2" (216 mm)
DL-725	9-1/2" (241 mm)	8-1/2" (216 mm)
DL-750	279 mm (11")	8-1/2" (216 mm)
DL-760	12-1/2" (318 mm)	8-1/2" (216 mm)

Lamp Shade Style	Width (A)	Height (B)
DL-775	10-1/2" (267 mm)	8-1/2" (216 mm)
DL-800	279 mm (11")	8-1/2" (216 mm)
DL-1100	6-1/2" (165 mm)	8-1/2" (216 mm)
DL-1400	7" (178 mm)	10-1/2" (267 mm)
DL-1500	6-11/16" (169 mm)	10-1/2" (267 mm)
DL-1600	8-1/2" (216 mm)	8-1/2" (216 mm)
DL-1700	7-1/2" (191 mm)	8-1/2" (216 mm)

Lamp Shade Style	Width (A)	Height (B)
DL-1800	9" (229 mm)	10-1/2" (267 mm)
DL-2100	6-1/8" (156 mm)	10-1/2" (267 mm)
DL-2200	7-3/4" (197 mm)	10-1/2" (267 mm)
DL-2300	11-1/2" (293 mm)	10-1/2" (267 mm)
DL-2400	279 mm (11")	8-1/2" (216 mm)

NOTE: The height dimension of the shade increases by 2" (51 mm) when using a cord mounted unit (C, CT, R, RT, RC, and RCT mounting styles).



DLH - 700 - ASTU

Decorative Lamp
 No Character = Standard Watt
 L = Luminaire Low Watt
 H = High Watt
 Shade Style

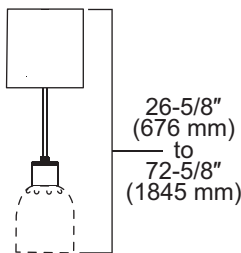
Switch Location:
 U = Upper I/O (on/off) Switch
 (not available with High Watt,
 Track Mount, or R Mount)
 L = Lower I/O (on/off) Switch
 (not available with High Watt,
 DL-2100, -2200, -2300, -2400,
 or A Mount)
 R = Remote I/O (on/off) Switch
 (switch plate not included)
 N = None (supplied by installer)

*NOTE: The overall dimensions include an 8-1/2" (216 mm) shade.
 Add 2" (51 mm) for models with a 10-1/2" (267 mm) shade.*

Mounting Style

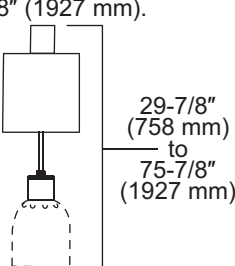
RC Mount

Lamp mounts with retractable cord. Cord adjusts up-down from 26-5/8" (676 mm) to 72-5/8" (1845 mm).



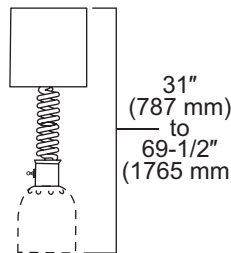
RCT Mount

Lamp mounts with retractable cord to track adapter. Cord adjusts up-down from 29-7/8" (758 mm) to 75-7/8" (1927 mm).



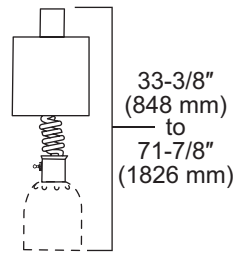
R Mount

Lamp mounts with coiled retractable cord. Cord adjusts up-down from 31" (787 mm) to 69-1/2" (1765 mm).



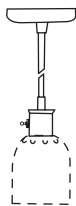
RT Mount

Lamp mounts with coiled retractable cord. Cord adjusts up-down from 33-3/8" (848 mm) to 71-7/8" (1826 mm).



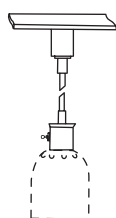
C Mount

Lamp mounts with cord to the canopy. Overall length from 17" (432 mm) to any length.



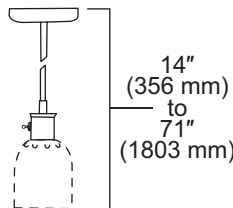
CT Mount

Lamp mounts with cord to track adapter. Overall length from 17" (432 mm) to any length.



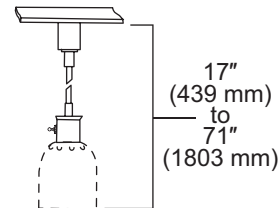
S Mount

Lamp mounts with rigid stem to canopy. Overall length from 14" (356 mm) to 71" (1803 mm).



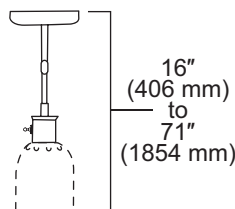
ST Mount

Lamp mounts with rigid stem to track adapter. Overall length from 17" (439 mm) to 71" (1803 mm).



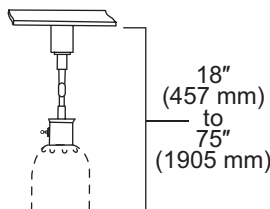
AS Mount

Lamp mounts with an adjustable stem to canopy. Overall length from 16" (406 mm) to 73" (1854 mm).



AST Mount

Lamp mounts with an adjustable stem to track adapter. Overall length from 18" (457 mm) to 75" (1905 mm).



TS Mount

Lamp mounts with threaded stem to fixture above (fixture supplied by others). Threaded stem mount is available only as a UL recognized (UR) component.



General

Use the following information and procedures to install Decorative Lamps.

⚠ WARNING

ELECTRIC SHOCK HAZARD:

- Unit must be installed by a qualified electrician. Installation must conform to all local electrical codes. Installation by unqualified personnel will void the unit warranty and may lead to electric shock or burn, as well as damage to unit and/or its surroundings.
- Turn OFF power at mounting location before installation of unit.
- Do not install track system above a steam table or other steam generating appliance.
- Failure to ground unit properly could result in serious personal injury or death.
- Unit is not weatherproof. Locate unit indoors.

FIRE HAZARD:

- Locate unit a minimum of 3" (76 mm) from combustible walls and materials. If safe distances are not maintained, discoloration or combustion could occur.
- DL standard watt lamps (250 W bulb) and DLL luminaire lamps (up to 100 W bulb) must have a minimum clearance of 16" (406 mm) above a combustible surface or 5" (127 mm) above a non-combustible surface. If safe distances are not maintained, discoloration or combustion could occur.
- DLH high watt lamps (375 W bulb) must have a minimum of 27" (686 mm) above a combustible surface or minimum clearance of 17" (432 mm) above a non-combustible surface. If safe distances are not maintained, discoloration or combustion could occur.
- Do not install a 375 W bulb into a DL standard watt lamp or a DLL luminaire lamp.

⚠ CAUTION

Multiple installations of Decorative Lamps must have a minimum clearance of 12" (305 mm) on center of shade between each unit.

All canopy mount units are designed to fit a standard 4" (102 mm) octagonal junction box. Junction box must be anchored securely to building structure.

For units not equipped with a Hatco-supplied switch, a qualified electrician must choose an appropriate switch for the application based on amperage and in-rush rating of the switch.

NOTICE

Damage to any countertop material caused by heat generated from Hatco equipment is not covered under the Hatco warranty. Contact manufacturer of countertop material for application information.

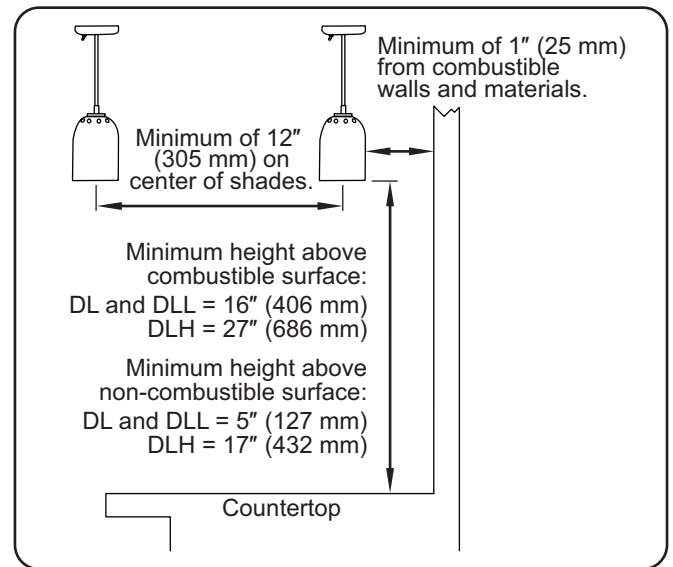
1. Remove the decorative lamp assembly from the carton.
2. Remove tape and protective packaging from all surfaces of unit.

NOTE: To prevent delay in obtaining warranty coverage, complete online warranty registration. See the IMPORTANT OWNER INFORMATION section for details.

3. Make sure the installation site provides the proper installation clearances for the unit (see below).

NOTE: For even heating, install multiple units a distance of 12" (305 mm) on center of shades.

NOTE: Decorative Lamps can be installed over a steam table. Follow the clearance requirements appropriate for the installation.



Safe Mounting Distances

NOTE: The remote I/O (on/off) switch supplied by Hatco is capable of handling up to eighteen 100 W Luminaires, seven 250 W lamps, or five 375 W lamps.

Assembly

Models with Mounting Styles C, CT, R, RT, RC, and RCT are cord hung fixtures and are shipped fully assembled and ready for installation. All other models will require some assembly before mounting. Refer to the appropriate assembly procedure below for each mounting style.

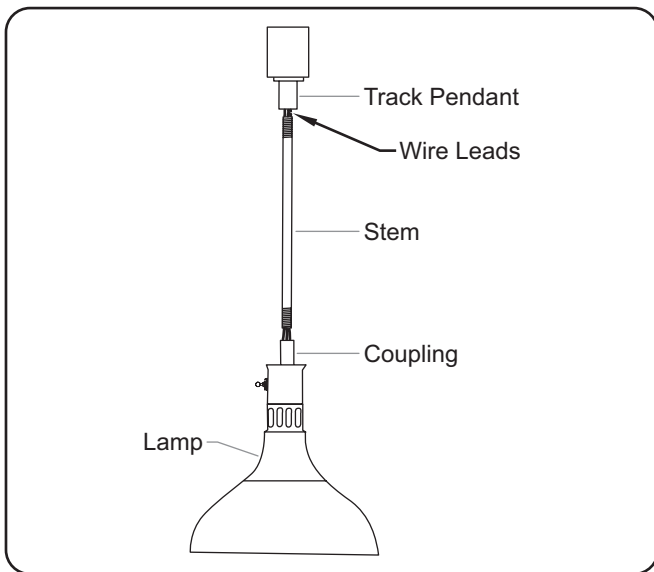
NOTE: If the shade comes equipped with plastic nut and nipple in stem mounting hole, both nut and nipple must be removed before installing stem to shade.



Turn OFF power at mounting location before installation of unit.

Assembling an ST Mount Unit

1. Remove the plastic caps covering each end of the stem, if present.
2. Feed the wire leads from the lamp through the stem.
3. Screw the stem into the coupling on the lamp. Tighten securely.
4. Open the track pendant side access panel and feed the wires up into the pendant enclosure.
5. Screw the stem into the track pendant and tighten securely. The stem should not rotate after it is tightened.
6. Following the instructions supplied with the pendant, connect together the white wire leads, connect together the black wire leads, and connect together the green ground wires using the provided wire nuts.



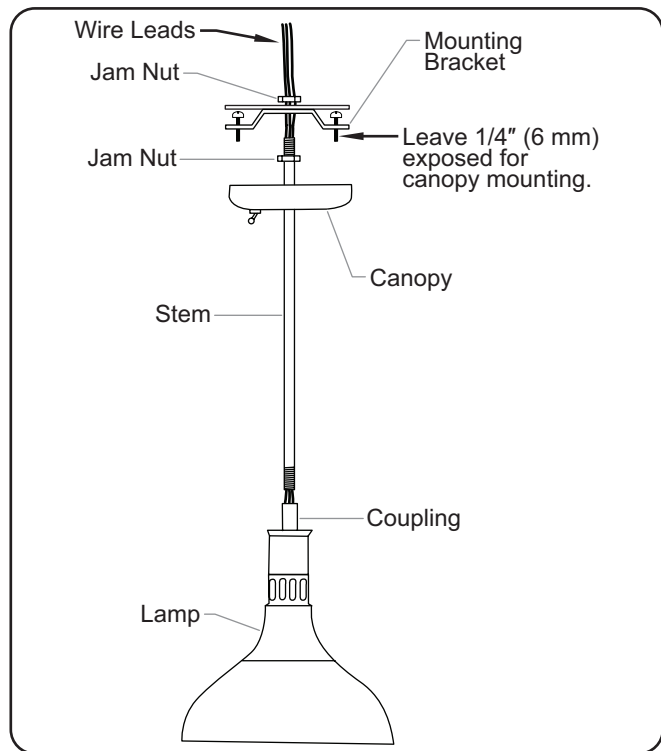
Assembling an ST Mount Unit

Assembling an S Mount Unit

1. Remove the plastic caps covering each end of the stem, if present.
2. Remove the two jam nuts from the stem.

NOTE: The jam nuts are installed on the stem for shipping purposes. Both jam nuts must be removed before assembling the unit. After assembly, both jam nuts will be on the canopy side of the stem.

3. Feed the wire leads from the lamp through the stem.
4. Screw the stem into the coupling on the lamp shade and tighten securely. If the unit is equipped with a pivot mount, straighten the pivot to help ease feeding the wires.
5. Place the canopy on the stem.
6. Thread one jam nut onto the stem and tighten until it bottoms out on the threads.
7. Place the mounting bracket on the stem until it rests on the jam nut.
8. Thread the second jam nut onto the stem and tighten it against the mounting bracket.
9. If the unit is equipped with an upper switch, connect the black wire from the lamp to one of the black wires on the switch. Use the included wire nut.



Assembling an S Mount Unit

Installing C, S, R, and RC Mount Units

⚠ WARNING

Turn OFF power at mounting location before installation of unit.

NOTICE

Retractable models and track mounted units must be installed on a flat, horizontal ceiling or damage to unit could occur.

1. Mount the upper plate of the mounting bracket to a 4" (102 mm) octagon junction box using the two screws provided with the junction box. The junction box must be rated for fixtures weighing up to 50 pounds.
2. Make sure all power is OFF, and connect supply lead L1 to the black lamp lead. Connect neutral to the white lamp lead.

If the lamp is equipped with three wires, connect ground to the green lead. If lamp is equipped with two wires, make proper ground wire connections from junction box. Tuck excess wires into junction box.

3. Apply the supplied threadlocker to the ball cap nuts.
4. Slide the canopy cover or cord housing up until it rests against the ceiling and install the two ball cap nuts until snug to the ceiling.

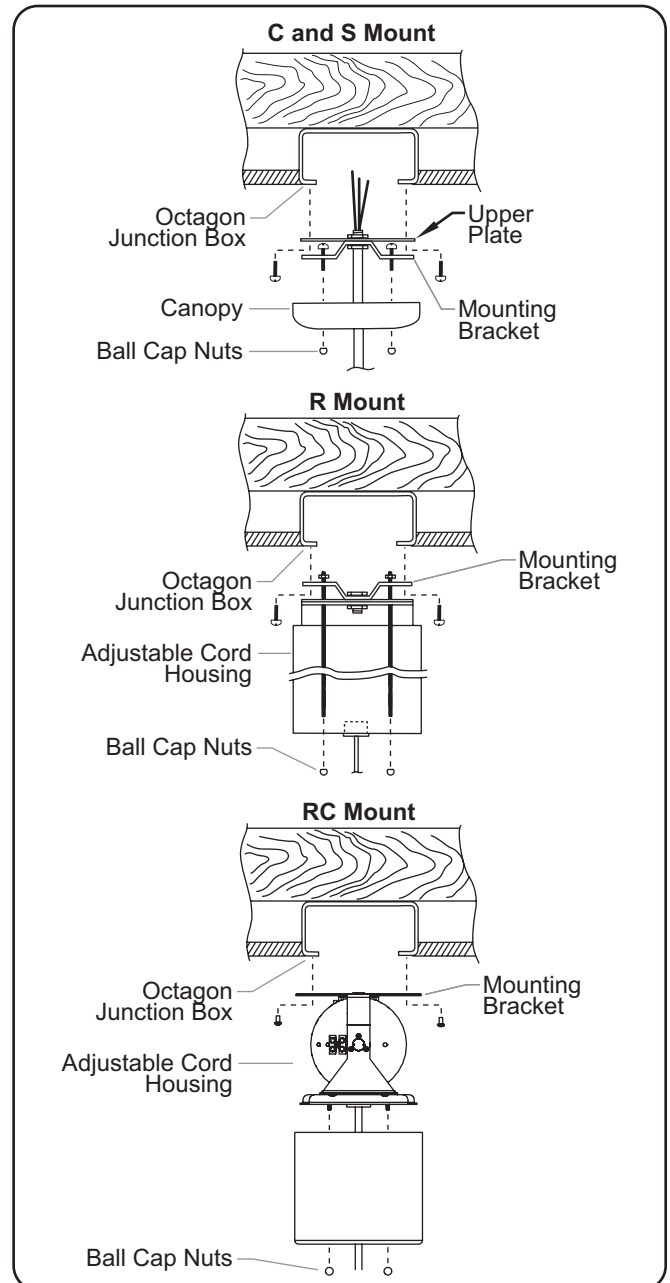
NOTE: C Mount models feature a cord clamp for cord length adjustments. Cord clamps must be installed no closer than 1/2" (13 mm) from end of cord jacket. The screw must not be tightened more than flush with the outside of the cord clamp.

Installing TS Mount Units (UL Recognized)

⚠ WARNING

Turn OFF power at mounting location before installation of unit.

1. Drill a 7/16" (11 mm) hole through mounting fixture.
2. Pass wires from the lamp through hole in fixture.
3. Secure the lamp to the fixture with nut.
4. Make sure all power is OFF, and connect supply lead L1 to the black lamp lead. Connect neutral to the white lamp lead and the ground to the green lead.



Mounting to a Junction Box

Installing Track Mount Units (CT, ST, RT, and RCT)

⚠ WARNING

ELECTRIC SHOCK HAZARD: Do not install track system above a steam table or other steam generating appliance.

⚠ CAUTION

The maximum capacity of track lighting systems is 20 A per circuit. Check fuses and circuits carefully before installing. The 20 A maximum includes all lights and appliances connected to circuit (maximum 1920 W per any length track).

Track lighting systems are not intended for use with a power supply cord or convenience receptacle adapter.

When installing track lighting systems, use only track assemblies approved by Hatco.

NOTICE

Hatco Decorative Lamps are designed and built to fit specific lighting systems. Do not use on any other track lighting system than what is supplied by Hatco.

Retractable models and track mounted units must be installed on a flat, horizontal ceiling or damage to unit could occur.

The track system is to be supplied by a single branch circuit 120 V, 60 Hz, 20 A.

NOTE: A maximum of eighteen 100 W Luminaire units, seven 250 W lamp units, or five 375 W lamp units may be installed per each 120 V, 20 A track bar circuit. The Installer is responsible for properly sizing the supply circuit with the lamp load.

The standard track and cord color of Hatco track systems is black. White is available as an option.

Hatco provides track kits in four different lengths. For installations with multiple 4' sections, refer to the "Installing Track Sections" procedure:

- 4' (1219 mm)
- 8' (2438 mm) track and and track connector. Track consists of two 4' (1219 mm) tracks.
- 12' (3658 mm) track and and track connector. Track consists of three 4' (1219 mm) tracks.
- 16' (4877 mm) track and track connector. Track consists of four 4' (1219 mm) tracks.

NOTE: Some track features not offered through Hatco may be purchased directly from the track manufacturer or distributor.

When installing or using this track system, the following basic safety precautions should always be followed:

- Read all of these installation instructions before installing the track system.
- Save these instructions and refer to them when additions to or changes in the track configuration are made.
- Do not install the track system in damp or wet locations, including above a steam table or steam generating appliance. Installation in these areas will void warranty.

- Do not install any part of a track system less than 5' (1524 mm) above the floor.
- Do not install any fixture assembly closer than 1" (25 mm) along the sides from any curtain or similar combustible material.
- Disconnect electrical power before adding to or changing the configuration of the track.
- Do not attempt to energize anything other than Hatco approved lighting fixtures on the track. To reduce the risk of fire and electric shock, do not attempt to connect power tools, extension cords, appliances, etc. to the track.

The track system must be mounted using the appropriate fasteners in the pre-drilled mounting holes at each end of the 4' (1219 mm) track(s).

If track requires field cutting, refer to the "Cutting Track to Special Lengths" procedure. If track does not require field cutting, proceed to "Installing the Track."

Installing the Track

Use the following procedure to install the track(s). Two or more people may be required for this procedure.

⚠ WARNING

Turn OFF power at mounting location before installation of unit.

NOTE: 8' (2438 mm), 12' (3658 mm), and 16' (4877 mm) tracks use multiple 4' (1219 mm) track sections and a track connector(s) for installation. Refer to "Installing Track Sections" for details.

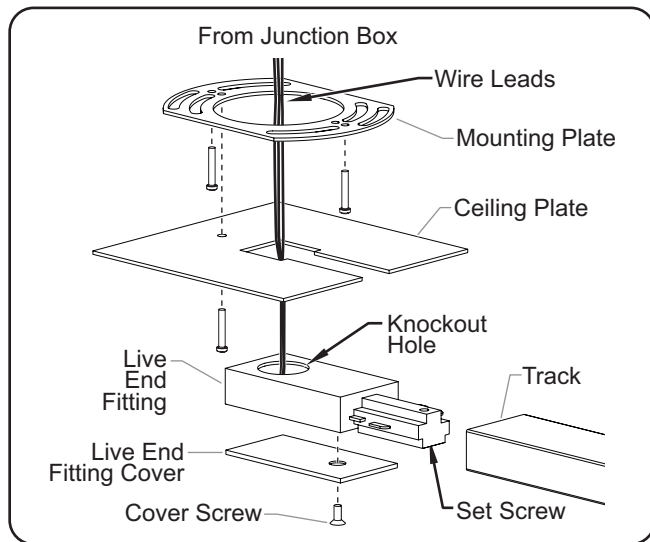
NOTICE

Do not damage the special, smooth plastic finish piece on metal ceiling plate when determining location of proper knock out holes.

Retractable models and track mounted units must be installed on a flat, horizontal ceiling or damage to unit could occur.

1. Determine the live end of the track, and remove the end cap.
 - The live end fitting must be installed into the correct end of the track—make sure that the ground conductor on the fitting aligns with the ground conductor buss bar on the track. A groove along the side of the track indicates the ground conductor side.
2. Install the live end fitting completely into the live end of the track.
 - Make sure the live end fitting is pushed completely into the track, and tighten the set screw on the live end fitting.
3. Remove the screw from the live end fitting cover, and remove the cover. Pry out the fitting's knockout hole.
4. Install the provided mounting plate onto the junction box using the included screws.
5. Lift the track assembly to the ceiling, and center the live end fitting over the junction box while locating the attached track in the desired position. Mark the locations of the track mounting holes on the ceiling. Set the track assembly aside.
 - If track is to be mounted on a solid surface, use #8 screws (not supplied) instead of the toggle bolts.

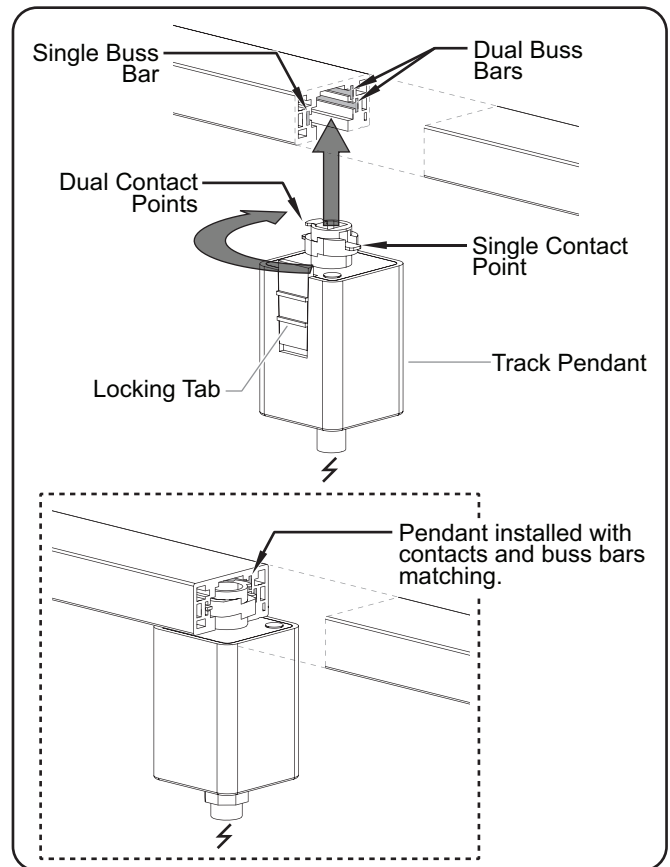
6. Using a 1/2" bit, drill the mounting holes in the ceiling for the supplied toggle bolts.
7. Make the electrical connections from the junction box to the live end fitting.
 - a. Cut and strip the wire leads (3/8" [10 mm] strip).
 - b. Lift the track assembly near the ceiling, pull the wires through the knockout hole in the live end fitting, and connect the wires to the screw terminals in the fitting.
 White "neutral" wire to silver terminal;
 Black "hot" wire to brass terminal;
 Ground wire to green ground terminal.
 - c. Push the excess wire back into the junction box.
8. Replace the cover on the live end fitting, and secure with the cover screw.
9. Slide the provided ceiling plate around the wires between the junction box and the live end fitting. Secure the ceiling plate to the mounting plate/junction box with the included screw.
10. Install the toggle bolts through the track mounting holes.
11. Reposition the track assembly, and install the track using the toggle bolts.



Installing the Track

12. Install the lamp(s) in the desired location(s) along the track. To install the lamp(s):
 - a. Pull back the locking tab on the track pendant and insert the pendant into the track.
 - b. Rotate the pendant approximately 90° until the pendant locks into position.

NOTE: Make sure the contact points on the track pendant will match up with the buss bars inside the track after rotating the pendant into position.

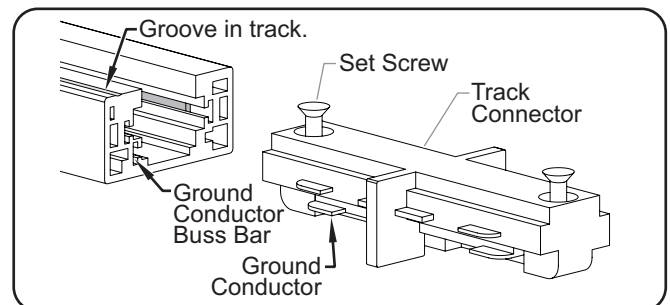


Track Cutaways Showing Track Pendant Installation

Installing Track Sections

Perform the "Installing the Track" procedure for the first track section, then use the following procedure to install the remaining 4' track sections for 8', 12', and 16' track kits.

1. Remove the end cap from the installed track, and slide the track connector into the end of the track.
 - Make sure the ground conductor on the connector aligns with the ground conductor buss bar on the track.
2. Remove the end cap from the live end of the new track section, and slide the track onto the open end of the track connector.
 - Make sure that the ground conductor buss bar on the new track aligns with the ground conductor on the connector.
3. Position and secure the new track section to the ceiling (refer to "Installing the Track" for details).
4. Tighten the two set screws on the track connector to secure the connection.



Installing Track Sections

Cutting Track to Special Lengths

NOTE: Cutting should be done from the dead end of the track. Refer to "Installing the Track" to identify the dead end.

1. Remove the end cap from the dead end of the track, and push the copper buss bars and insulators flush with the live end of the track. Measure length from the live end and mark the cut line.
2. Using a hacksaw, cut to desired length. Be sure to allow 1/8" (3 mm) for the end cap, which must be reinstalled to the track end.
3. Remove all burrs from the track, insulators, and copper buss bars.
4. Push the copper buss bars into the insulators 1/2" (13 mm) from the end of the track.

NOTE: After completing the above step, the buss bar insulators should be flush with the track channel ends, and the copper buss bars should be cut back from each end of the track a minimum of 7/16" (11 mm) to a maximum of 1/2" (13 mm). If this is not the case, make appropriate modifications.

5. Reinstall the end cap and tighten the screw.

IMPORTANT NOTE:

After track has been field cut, make sure that each 4' (1219 mm) section or less in length has one mounting hole spaced a maximum of 6" (152 mm) from each track end section. Additional mounting holes may be drilled as needed.

If additional mounting hole openings in the track are required, follow this procedure to drill the holes:

1. Locate desired mounting hole locations on the inside center line of the track section.
2. Drill a 3/16" (5 mm) hole through the track channel.

CAUTION

Use caution when drilling during track installation to avoid damaging buss bar insulators. If insulators are damaged, discard the section—DO NOT use.

3. Remove all burrs and proceed to "Installing the Track".

Adjusting the Stem

Use the following procedure to change the length of an adjustable stem after installing the decorative lamp.

NOTE: Make sure lamp is at proper height before tightening set set screws. The set screws will scratch the stem surface, which is not covered under warranty.

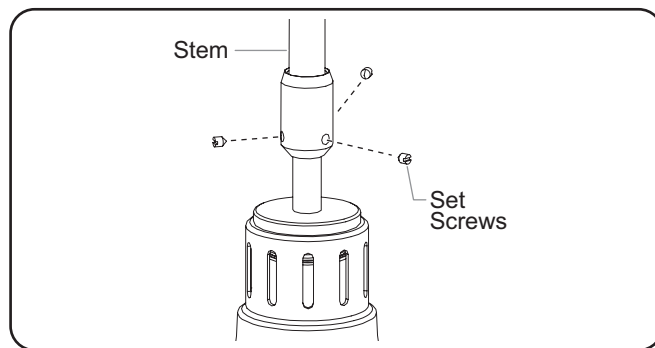
1. Slide the stem up or down to the desired length.

WARNING

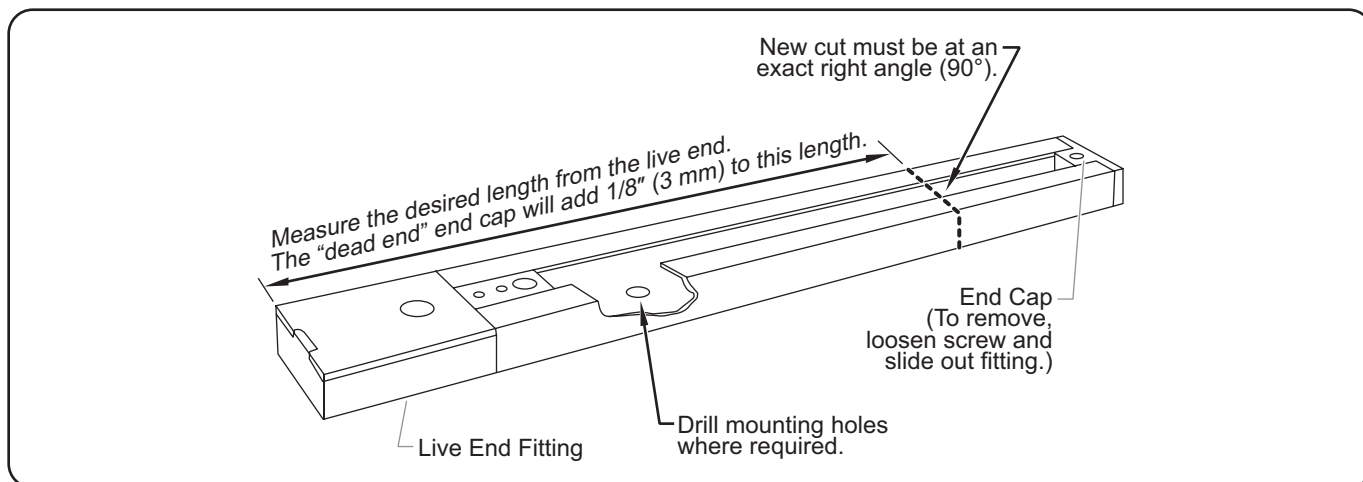
ELECTRIC SHOCK HAZARD: Tighten set screws securely (at least 12 ft-lbs.). Screws must penetrate paint and contact bare metal for grounding.

2. Secure the stem length using the included threadlocker and set screws. Tighten set screws securely (at least 12 ft-lbs.).

NOTE: Wiring might need to be trimmed in order to fit into the canopy after adjusting the stem length. Trimming wires will limit future adjustment of the stem.



Securing an Adjustable Stem



Cutting the Track to Special Lengths

General

Use the following procedures to operate a Decorative Lamp.

WARNING

Read all safety messages in the Important Safety Information section before operating this equipment.

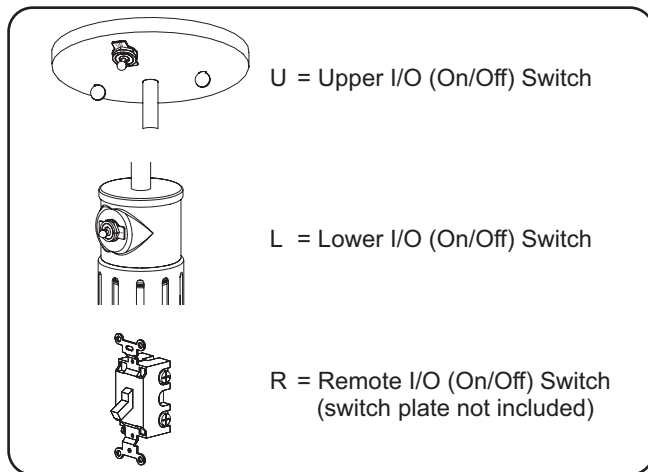
Hatco Corporation is not responsible for actual food product serving temperature. It is the responsibility of the user to ensure that food product is held and served at a safe temperature.

Startup

1. Move the I/O (on/off) Switch to the **I** (on) position. The lamp will illuminate.
 - Lamps are ready to provide lighting and supplemental heat to food product immediately.

CAUTION

BURN HAZARD: Some exterior surfaces on unit will get hot. Use caution when touching these areas.



I/O (On/Off) Switches

Shutdown

1. Move the I/O (on/off) Switch to the **O** (off) position. The lamp will shut off.

Operating Retractable 'R' and 'RT' Units

R and RT mount units are equipped with a retractable cord that allows the lamp height to be adjusted. The retractable cord can extend up to 40" (1016 mm). DO NOT extend the cord past 40" or the retractable cord will jam. Use the following procedures to lower and raise an R or RT mount unit.

NOTICE

Damage to retractable cords by pulling too far causing a jam or pulling too hard is NOT covered under warranty.

Lowering the Unit

1. Pull straight down on the lamp to extend the cord until the lamp reaches the desired height.
 - The retractable cord can extend up to 40" (1016 mm). DO NOT extend the cord past 40" or the retractable cord will jam.
2. Gently release the lamp. The lamp will raise slightly until the locking mechanism in the canopy engages to hold the lamp in position.

Raising the Unit

1. Pull straight down on the lamp slightly to release the locking mechanism. Hold the lamp for support and control as the cord retracts.

NOTICE

Do not let go of lamp fixture while cord is retracting. Damage to unit and/or bulb could occur.

2. Allow the cord to retract fully or stop the lamp at the desired height.
 - To lock the position of the lamp at a new height, pull down on the lamp slightly to re-engage the locking mechanism.

Releasing a Jammed Retractable Cord

Use the following procedure if the cord was pulled too far and is jammed. This procedure may take two people.

1. Holding the retractable cord housing securely, pull down on the top of the unit near the coupling with a quick, forceful jerk straight down.
2. When the retractable cord releases, hold the lamp for support and control as the cord retracts.

Operating Retractable 'RC' and 'RCT' Units

RC and RCT mount units are equipped with a retractable cord that allows the lamp height to be adjusted. The retractable cord can extend up to 45-7/8" (1165 mm). DO NOT extend the cord past 45-7/8" or the retractable cord will jam. Use the following procedures to lower and raise an RC or RCT mount unit.

NOTICE

Damage to retractable cords by pulling too far causing a jam or pulling too hard is NOT covered under warranty.

Lowering the Unit

1. Pull straight down on the lamp to extend the cord until the lamp reaches the desired height.
 - The retractable cord can extend up to 45-7/8" (1165 mm). DO NOT extend the cord past 45-7/8" or the retractable cord will jam.

Raising the Unit

1. Push straight up on the lamp to shorten the cord until the lamp reaches the desired height.

General

Hatco Decorative Lamps are designed for maximum durability and performance, with minimum maintenance.



ELECTRIC SHOCK HAZARD:

- Turn OFF power at fused disconnect switch/circuit breaker and allow unit to cool before performing any cleaning, adjustments, or maintenance.
- DO NOT submerge or saturate with water. Unit is not waterproof. Do not operate if unit has been submerged or saturated with water.
- Do not steam clean or use excessive water on unit.
- This unit is not “jet-proof” construction. Do not use jet-clean spray to clean this unit.
- Use only Genuine Hatco Replacement Parts when service is required. Failure to use Genuine Hatco Replacement Parts will void all warranties and may subject operators of the equipment to hazardous electrical voltage, resulting in electrical shock or burn. Genuine Hatco Replacement Parts are specified to operate safely in the environments in which they are used. Some aftermarket or generic replacement parts do not have the characteristics that will allow them to operate safely in Hatco equipment.

This unit has no “user-serviceable” parts. If service is required on this unit, contact an Authorized Hatco Service Agent or contact the Hatco Service Department at 414-671-6350.



Clean unit daily to avoid malfunctions and maintain sanitary operation.

Use non-abrasive cleaners and cloths only. Abrasive cleaners and cloths could scratch the finish of the unit, marring its appearance and making it susceptible to soil accumulation.

Do not use ammonia-based cleaners on unit.

Daily Cleaning

1. Move the I/O (on/off) Switch to the O (off) position and allow the unit to cool completely.
2. Wipe down the lamp shade with a clean, soft, water-dampened cloth. Stubborn stains can be removed with a mild, non-abrasive cleanser.

Replacing an Infrared Bulb

Each standard wattage Decorative Lamp (DL) holds one infrared bulb rated at 250 W. Each Luminaire Decorative Lamp (DLL) holds one bulb rated up to 100 W. Each high wattage Decorative Lamp (DLH) holds one infrared bulb rated at 375 W. If desired, 250 W bulbs also may be used in DLH units.



FIRE HAZARD: Do not install a 375 W bulb into a DL standard watt lamp or a DLL Luminaire low watt unit.

1. To replace a bulb, move the I/O (on/off) Switch to the O (off) position and allow the bulb to cool completely.
2. Bulbs have a threaded base. Unscrew the bulb from the unit and replace with a new bulb.

NOTE: Refer to the OPTIONS AND ACCESSORIES section for replacement infrared bulbs available from Hatco.

OPTIONS AND ACCESSORIES

Infrared Bulbs

The following infrared bulbs are available for use in Hatco Decorative Lamps.

DLL (Luminaire [no heat])

40 W, 120 V, Clear Coated 02.30.265.00

DL (standard wattage)

250 W, 120 V, Red Coated 02.30.068.00
 250 W, 120 V, Clear Coated 02.30.069.00
 250 W, 120 V, Red Uncoated 02.30.070.00
 250 W, 120 V, Clear Uncoated 02.30.071.00

DLH (high wattage)

375 W, 120 V, Clear Uncoated 02.30.093.00
 375 W, 120 V, Clear Coated 02.30.097.00

Track Mount Kits

Track Mount Kits are available for track mount units (CT, ST, RT, and RCT mounting style) and can be ordered in 4' (1219 mm), 8' (2438 mm), 12' (3658 mm), or 16' (4877 mm) lengths. The color options are black or white. The track can be cut down in the field, if necessary.

NOTE: A maximum of eighteen 100 W Luminaire units, seven 250 W lamp units, or five 375 W lamp units may be installed per each 120 V, 20 A track bar circuit. The Installer is responsible for properly sizing the supply circuit with the lamp load.

NOTE: Non-track mount units cannot be retrofitted to become track mount units.

NOTE: Some track features not offered through Hatco may be purchased directly from the track manufacturer or distributor.



This unit must be serviced by qualified personnel only. Service by unqualified personnel may lead to electric shock or burn.



ELECTRIC SHOCK HAZARD: Turn OFF power at fused disconnect switch/circuit breaker and allow unit to cool before performing any cleaning, adjustments, or maintenance.

Symptom	Probable Cause	Corrective Action
Unit is not working at all.	Unit not turned on.	Place I/O (on/off) Switch, if equipped, in the I (on) position.
	I/O (on/off) Switch not functioning.	Contact Authorized Service Agent or Hatco for assistance.
	Bulb has burned out.	Replace bulb.
Unit is turned on but there is no light.	No power to unit.	Check circuit breaker and reset as necessary.
	Switch is defective.	Contact Authorized Service Agent or Hatco for assistance.
	Bulb has burned out.	Replace bulb.
Heat is inadequate.	Unit mounted too high above target area.	Lower unit, putting effective heat closer to target.
	Excessive air movement around Decorative Lamp target area.	Restrict or redirect air movement (i.e. air conditioning duct or exhaust fan) away from unit.
	Incorrect bulb wattage.	Verify bulb wattage and replace with the correct wattage bulb. WARNING! DO NOT exceed maximum bulb wattage rating on specification label.
	Incorrect power supply (low).	Check power supply to unit, making sure it matches rating on the unit. If power supply is incorrect, change to match rating on unit.
Heat is excessive.	Unit mounted too close to target area.	Check to see that installation is within specifications for type/model. Increase mounting height if too close.
	Bulb wattage too high.	Check bulb wattage and replace with lower wattage bulb, if available.
	Voltage supply too high.	Check power supply to unit, making sure it matches rating on unit. If power supply is incorrect, change to match rating.
The Retractable cord is jammed and will not retract.	The retractable cord was pulled down too far and is stuck fully extended.	Release the jammed retractable cord. Refer to the "Releasing a Jammed Retractable Cord" procedure in the OPERATION section.
Control switches burn-out rapidly.	Switches used are not Hatco supplied.	Genuine Hatco components are specified to operate safely and properly in the environment in which they are used. Replace switches with Genuine Hatco Parts if switches are aftermarket or generic.

Troubleshooting Questions?

If you continue to have problems resolving an issue, please contact the nearest Authorized Hatco Service Agency or Hatco for assistance. To locate the nearest Service Agency, log onto the Hatco website at www.hatcocorp.com, select the *Support* pull-down menu, and click on "Find A Service Agent"; or contact the **Hatco Parts and Service Team** at:

Telephone: 414-671-6350

e-mail: support@hatcocorp.com

WARRANTY, EXCLUSIVE REMEDY:

Hatco Corporation (Seller) warrants that the products it manufactures (Products) will be free from defects in materials and workmanship under normal use and service and when stored, maintained, and installed in strict accordance with factory recommendations. Seller's sole obligation to the person or entity buying the Products directly from Seller (Customer) under this warranty is the repair or replacement by Seller or a Seller-authorized service agency, at Seller's option, of any Product or any part thereof deemed defective upon Seller's examination, for a period of: (i) the Warranty Duration from the date of shipment by Seller or (ii) the Warranty Duration from the date of Product registration in accordance with Seller's written instructions, whichever is later. The "Warranty Duration" shall mean the specific periods set forth below for specific Product components, or, to the extent not listed below, eighteen (18) months. Credit for Products or parts returned with the prior written permission of Seller will be subject to the terms shown on Seller's material return authorization form. PRODUCTS OR PARTS RETURNED WITHOUT PRIOR WRITTEN PERMISSION OF SELLER WILL NOT BE ACCEPTED FOR CREDIT. Expenses incurred by Customer in returning, replacing, or removing the Products will not be reimbursed by Seller. If the defect comes under the terms of the limited warranty, the Products will be repaired or replaced and returned to the Customer and the cost of return freight will be paid by Seller. The remedy of repair or replacement provided for herein is Customer's exclusive remedy. Any improper use, alteration, repairs, tampering, misapplication, improper installation, application of improper voltage, or any other action or inaction by Customer or others (including the use of any unauthorized service agency) that in Seller's sole judgment adversely affects the Product shall void this warranty. The warranty expressly provided herein may only be asserted by Customer and may not be asserted by Customer's customers or other users of the Products; provided, however, that if Customer is an authorized equipment dealer of Seller, Customer may assign the warranty herein to Customer's customers, subject to all of the limitations of these Terms, and in such case, the warranty shall be exclusively controlled by Seller in accordance with these Terms. THIS LIMITED WARRANTY IS EXCLUSIVE AND IS IN LIEU OF ANY OTHER WARRANTY, EXPRESSED OR IMPLIED, INCLUDING BUT NOT LIMITED TO ANY IMPLIED WARRANTY OF NONINFRINGEMENT, MERCHANTABILITY, OR FITNESS FOR A PARTICULAR PURPOSE, WHICH ARE EXPRESSLY DISCLAIMED.

One (1) Year Parts and Labor PLUS One (1) Additional Year Parts-Only Warranty:

- Conveyor Toaster Elements (metal sheathed)
- Drawer Warmer Elements (metal sheathed)
- Drawer Warmer Drawer Rollers and Slides
- Food Warmer Elements (metal sheathed)
- Display Warmer Elements (metal sheathed air heating)
- Holding Cabinet Elements (metal sheathed air heating)
- Heated Well Elements — HW, HWB, and HWBI Series (metal sheathed)

Two (2) Year Parts and Labor Warranty:

- Induction Ranges
- Induction Warmers

One (1) Year Replacement Warranty:

- TPT Pop-Up Toasters

One (1) Year Parts and Labor PLUS Four (4) Years Parts-Only Warranty:

- 3CS and FR Tanks

One (1) Year Parts and Labor PLUS Nine (9) Years Parts-Only Warranty:

- Electric Booster Heater Tanks
- Gas Booster Heater Tanks

Ninety (90) Day Parts-Only Warranty:

- Replacement Parts

Notwithstanding anything herein to the contrary, the limited warranty herein will not cover components in Seller's sole discretion such as, but not limited to, the following: coated incandescent light bulbs, fluorescent lights, heat lamp bulbs, coated halogen light bulbs, halogen heat lamp bulbs, xenon light bulbs, LED light tubes, glass components, and fuses; Product failure in booster tank, fin tube heat exchanger, or other water heating equipment caused by liming, sediment buildup, chemical attack, or freezing.

WARRANTY REGISTRATION INSTRUCTIONS:

Product registration must be submitted within 90 days from the date of shipment from our factory to qualify for additional coverage. Registration may be submitted through the form on Seller's website, through the form accessible through the QR code on the Product (where available), or by calling Customer Service with the required information at: **414-671-6350**.

LIMITATION OF LIABILITY:

SELLER WILL NOT BE LIABLE FOR ANY INDIRECT, INCIDENTAL, CONSEQUENTIAL, PUNITIVE, EXEMPLARY, OR SPECIAL DAMAGES, INCLUDING WITHOUT LIMITATION ANY LOST PROFITS, COSTS OF SUBSTITUTE PRODUCTS, OR LABOR COSTS ARISING FROM THE SALE, USE, OR INSTALLATION OF THE PRODUCTS, FROM THE PRODUCTS BEING INCORPORATED INTO OR BECOMING A COMPONENT OF ANOTHER PRODUCT, OR FROM ANY OTHER CAUSE WHATSOEVER, WHETHER BASED ON WARRANTY (EXPRESSED OR IMPLIED) OR OTHERWISE BASED ON CONTRACT, TORT, OR ANY OTHER THEORY OF LIABILITY, AND REGARDLESS OF ANY ADVICE OR REPRESENTATIONS THAT MAY HAVE BEEN RENDERED BY SELLER CONCERNING THE SALE, USE, OR INSTALLATION OF THE PRODUCTS, EVEN IF SELLER IS AWARE OF THE POSSIBILITY OF SUCH DAMAGES. IN NO EVENT WILL SELLER'S AGGREGATE LIABILITY ARISING OUT OF OR RELATED TO THIS AGREEMENT EXCEED THE TOTAL AMOUNTS PAID TO SELLER BY CUSTOMER FOR THE PRODUCTS WITHIN THE THREE (3) MONTH PERIOD IMMEDIATELY PRECEDING THE EVENT GIVING RISE TO CUSTOMER'S CLAIM. THE LIMITATIONS SET FORTH HEREIN REGARDING SELLER'S LIABILITY SHALL BE VALID AND ENFORCEABLE NOTWITHSTANDING A FAILURE OF ESSENTIAL PURPOSE OF THE LIMITED REMEDY SPECIFIED IN THESE TERMS.

Seller reserves the right to update these Terms at any time, at its sole discretion, which become binding upon the date of publishing. For the most current version of our full Terms of Sale, see our website at: <https://www.hatcocorp.com/terms-of-sale>

Informations Importantes pour le Propriétaire.....	17	Mode d'emploi	28
Introduction.....	17	Généralités	28
Consignes de Sécurité Importantes	18	Fonctionnement des unités à cordon rétractable	28
Description du Modèle.....	19	Maintenance.....	29
Désignation du Modèle.....	20	Généralités	29
Caractéristiques Techniques	21	Nettoyage quotidien.....	29
Tableau des valeurs nominales électriques	21	Remplacement d'une ampoule infrarouge	29
Dimensions — Style d'abat-jour	21	Options et accessoires	29
Installation.....	22	Guide de Dépannage.....	30
Généralités	22	Garantie Limitée	31
Assemblage.....	23	Distributeurs de pièces autorisés	Couverture Arrière
Installation des unités à fixation de type C, S, R et RC.....	24		
Installation des unités à fixation de type TS (homologuées UL).....	24		
Installation des unités à fixation sur rail de type CT, ST, RT et RCT	25		
Ajustement de la tige.....	27		

INFORMATIONS IMPORTANTES POUR LE PROPRIÉTAIRE

Notez le numéro de modèle, le numéro de série, la tension et la date d'achat de l'appareil dans les espaces ci-dessous (voir l'étiquette des caractéristiques techniques à l'intérieur de l'abat-jour). Veuillez avoir cette information à portée de la main si vous appelez Hatco pour assistance.

Modèle No. _____

Numéro de série _____

Voltage _____

Date d'achat _____

Enregistrez votre appareil!

Remplissez la garantie en ligne pour éviter les retards pour faire jouer la garantie. Accédez au site Web Hatco www.hatcocorp.com, sélectionnez le menu déroulant *Support (Assistance)*, puis cliquez sur « Warranty » (Garantie).

Horaires

ouvrables : 7h00 à 17h00 du lundi au vendredi
Heure du Centre (CT)
(Horaires d'été : juin à septembre—
7h00 à 17h00 du lundi au jeudi
7h00 à 16h00 le vendredi)

Téléphone: +1-414-671-6350

Courriel: support@hatcocorp.com



Service d'assistance et de pièces de rechange disponible 7j/7, 24h/24 aux États-Unis et au Canada en composant le +1-414-671-6350.

Des renseignements supplémentaires sont disponibles sur notre site Web à www.hatcocorp.com.

INTRODUCTION

Les lampes décoratives Hatco sont conçues pour conserver la température adéquate des plats chauds et agrémenter le décor du restaurant. Les lampes décoratives fournissent une source de chaleur supplémentaire en plus de l'éclairage. Une lampe « lumineuse » (éclairage uniquement) est disponible pour les installations ne nécessitant pas de source de chaleur supplémentaire, mais qui souhaitent bénéficier du style et de la concentration de la lumière d'une lampe décorative.

Les lampes décoratives sont d'une qualité leur permettant de répondre aux exigences du secteur de la restauration et de fournir des années de fonctionnement sans incident.

Les lampes décoratives Hatco sont le résultat de recherches approfondies et d'essais sur le terrain. Les matériaux utilisés ont été sélectionnés pour un maximum de durabilité, d'aspect esthétique et de performance optimum. Chaque appareil est minutieusement inspecté et testé avant expédition.

Ce manuel fournit les instructions concernant l'installation, la sécurité et le fonctionnement des lampes décoratives. Hatco vous recommande de lire l'ensemble des instructions d'installation, de sécurité et de fonctionnement contenues dans ce manuel avant d'installer et d'utiliser l'appareil.

Les consignes de sécurité qui apparaissent dans ce manuel sont identifiées par les mots indicateurs suivants :

AVERTISSEMENT

AVERTISSEMENT indique une situation dangereuse qui, si elle n'est pas évitée, peut provoquer la mort ou des blessures graves.

ATTENTION

ATTENTION indique une situation dangereuse qui, si elle n'est pas évitée, peut provoquer des blessures légères ou moyennes.

AVIS

AVIS est utilisé pour des questions sans rapport avec des blessures corporelles.



Lisez l'information de sécurité importante suivante avant d'utiliser cet équipement pour éviter des dommages ou la mort sérieux et pour éviter d'endommager l'équipement ou la propriété.

⚠ AVERTISSEMENT

DANGER DE DÉCHARGE ÉLECTRIQUE :

- L'appareil doit être installé par un électricien qualifié. L'installation doit être conforme à l'ensemble des réglementations électriques locales. Une installation par un personnel non qualifié provoquera une annulation de la garantie de l'appareil. Cela peut également entraîner un choc électrique ou une brûlure et endommager l'unité et/ou les zones environnantes.
- Coupez l'alimentation de l'endroit prévu pour la fixation avant de procéder à l'installation de l'unité.
- Une mise à la terre incorrecte de l'unité peut entraîner des blessures graves ou le décès.
- Coupez l'alimentation au niveau du sectionneur portatif/disjoncteur et laissez l'unité refroidir avant d'entreprendre toute opération de nettoyage, de réglage ou d'entretien.
- NE PAS immerger l'appareil ni le saturer d'eau. L'appareil n'est pas étanche à l'eau. Ne pas le faire fonctionner s'il a été immergé ou saturé d'eau.
- L'appareil n'est pas à l'épreuve des intempéries. Placer l'appareil à l'intérieur.
- Ne pas nettoyer à la vapeur ni utiliser trop d'eau sur l'appareil.
- N'installez pas un système de rail au-dessus de la table à vapeur ou d'un autre appareil générant de la vapeur.
- Cet appareil n'est pas étanche aux jets. Ne pas utiliser de jet sous pression pour nettoyer l'appareil.
- La réparation de cet appareil doit être confiée exclusivement à du personnel qualifié. Les réparations par des personnes non qualifiées peuvent provoquer des décharges électriques et des brûlures.
- Utilisez uniquement des pièces de rechange d'origine Hatco lorsque l'entretien est nécessaire. Utilisez des pièces détachées Hatco authentiques sous peine d'annuler toutes les garanties et d'exposer l'utilisateur à des tensions électriques dangereuses pouvant entraîner une électrocution ou des brûlures. Les pièces de rechange authentiques Hatco sont spécifiées pour fonctionner en toute sécurité dans les environnements dans lesquels elles sont utilisées. Certaines pièces de rechange génériques ou d'après-vente n'ont pas les caractéristiques qui leur permettent d'opérer en toute sécurité dans les équipements Hatco.

Hatco Corporation n'est pas responsable de la température réelle à laquelle les aliments sont servis. Il est de la responsabilité de l'utilisateur de s'assurer que les produits alimentaires sont maintenus et servis à une température sans danger.

Assurez-vous que tous les opérateurs ont été formés à l'utilisation sûre et correcte de l'appareil.

Cet appareil ne doit pas être utilisé par des enfants ou des personnes avec des capacités physiques, sensorielles ou mentales diminuées. Assurez-vous que les enfants sont bien surveillés et tenez-les à l'écart de l'appareil.

⚠ AVERTISSEMENT

DANGER D'INCENDIE :

- Placez l'unité à au moins 25 mm (1") de murs ou de matières inflammables. Si ces distances de sécurité ne sont pas respectées, une décoloration ou une combustion peut se produire.
- Les lampes décoratives de puissance standard (ampoule de 250 W) et les luminaires (ampoule de 100 W maximum) doivent être installés à une distance d'au moins 406 mm (16") au-dessus d'une surface inflammable et à une distance d'au moins 127 mm (5") au-dessus d'une surface ininflammable. Si ces distances de sécurité ne sont pas respectées, une décoloration ou une combustion peuvent se produire.
- Les lampes DLH haute puissance (ampoule de 375 W) doivent être installées à une distance d'au moins 686 mm (27") au-dessus d'une surface inflammable et à une distance d'au moins 432 mm (17") au-dessus d'une surface ininflammable. Si ces distances de sécurité ne sont pas respectées, une décoloration ou une combustion peut se produire.
- N'installez pas une ampoule de 375 W dans une lampe décorative de puissance standard ou un luminaire.

Cet appareil ne contient aucune pièce réparable par l'utilisateur. Si cet appareil doit être réparé, contacter un réparateur Hatco agréé ou le Service après-vente Hatco au +1 414-671-6350.

⚠ ATTENTION

DANGER DE BRÛLURE : Certaines surfaces extérieures de l'appareil deviennent chaudes. Toucher ces zones de l'appareil avec précaution.

Lors de l'installation de systèmes d'éclairage sur rail, utilisez uniquement des kits d'assemblage de rails approuvés par Hatco.

Les systèmes d'éclairage sur rail ne sont pas conçus pour être utilisés avec un cordon d'alimentation ou un adaptateur de prise murale.

La capacité maximale des systèmes d'éclairage sur rail est de 20 A par circuit. Vérifiez avec soin les fusibles et les circuits avant de procéder à l'installation. La capacité maximale de 20 A comprend tous les dispositifs d'éclairage et les appareils raccordés au circuit (120 V uniquement, 1 920 W maximum quelle que soit la longueur du rail).

Lors de l'installation d'un rail, percez avec précaution afin de ne pas endommager les isolateurs du jeu de barres. Si les isolateurs sont endommagés, éliminez la section ; ne l'utilisez pas.

ATTENTION

Pour les unités sans interrupteur fourni par Hatco, un électricien qualifié devra choisir un interrupteur adapté à l'application en fonction de l'ampérage et du niveau d'intensité du courant d'appel de l'interrupteur.

Toutes les unités à fixation sur pavillon sont conçues pour être compatibles avec une boîte de dérivation octogonale standard de 102 mm (4"). La boîte de dérivation doit être solidement fixée à la structure du bâtiment.

Dans le cas d'une installation à lampes décoratives multiples, conservez entre chaque unité une distance de séparation minimum de 305 mm (12"), mesurée du centre d'un abat-jour à l'autre.

AVIS

Les dommages pouvant être causés au dessus de comptoir par l'équipement de Hatco ne sont pas couverts par la garantie de Hatco. Contactez le fabricant du comptoir pour les informations concernant l'application.

Ne lâchez pas la lampe pendant que le cordon se rétracte. La lampe ou l'ampoule pourraient être endommagées.

Les lampes décoratives Hatco sont conçues et fabriquées pour s'adapter à des systèmes d'éclairage spécifiques. Ne les utilisez pas sur des systèmes d'éclairage sur rail non fournis par Hatco.

Utilisez seulement des nettoyants non abrasifs et des chiffons doux. Les chiffons et nettoyant abrasifs pourraient érafler la finition de l'unité, entachant son apparence et la rendant susceptible à l'accumulation de saleté.

Ne nettoyez pas les unités avec un nettoyant à base d'ammoniaque.

Cet appareil est conçu exclusivement pour une utilisation commerciale—PAS pour un emploi domestique.

DESCRIPTION DU MODÈLE**Tous les Modèles**

Toutes les lampes décoratives sont fabriquées en aluminium et acier et comprennent un matériel de fixation hautement résistant. Chaque lampe décorative est disponible avec une ampoule infrarouge accessoire contenue dans un abat-jour ventilé. L'abat-jour est disponible en plusieurs coloris à revêtement poudré, finition matte ou brillante.

Modèles DL (puissance standard)

Les modèles de puissance standard DL fonctionnent avec une ampoule infrarouge de 250 W (ampoule non incluse) et sont fournis avec un interrupteur marche/arrêt (I/O) intégré, situé sur la tige ou le pavillon pour un contrôle indépendant. Les unités DL peuvent être commandées avec un interrupteur à distance en option (REM) ou sans interrupteur.

Une version luminaire des modèles DL est disponible à des fins d'éclairage uniquement (pas de chaleur). La version luminaire fonctionne avec une ampoule de 200 W maximum (non incluse).

Modèles DLL (luminaire)

Les modèles de luminaires DLL fonctionnent avec une ampoule de 100 W (non fournie) et possèdent un interrupteur I/O (marche/arrêt) intégré, situé sur le pied ou la monture qui assure un contrôle indépendant. Les unités DLL peuvent être commandés avec un interrupteur à distance en option (REM) ou sans interrupteur.

Modèles DLH (haute puissance)

Les modèles haute puissance DHL fonctionnent avec une ampoule infrarouge de 375 W (ampoule non incluse) et sont disponibles avec un interrupteur à distance (REM) ou sans interrupteur.

ATTENTION

Pour les unités sans interrupteur fourni par Hatco, un électricien qualifié devra choisir un interrupteur adapté à l'application en fonction de l'ampérage et du niveau d'intensité du courant d'appel de l'interrupteur.

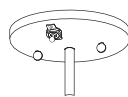
Des accessoires sont disponibles pour les lampes décoratives. Consultez la section OPTIONS ET ACCESSOIRES de ce manuel pour plus de détails.

NOTA: Certains éléments de rail non proposés par Hatco peuvent être achetés directement auprès du fabricant ou du distributeur de rails.

DLH - 700 - ASTU

Lampe décorative
(lampe ou luminaire)
Aucune lettre = Puissance standard
L = Luminaire (faible puissance)
H = Haute puissance
Style d'abat-jour

Emplacement de l'interrupteur:
U = Interrupteur I/O (marche/arrêt)
supérieur (non disponible sur les
modèles haute puissance ni sur les
unités à fixation de type R ou sur rail)



L = Interrupteur I/O (marche/arrêt)
inférieur (non disponible sur les
modèles haute puissance ni sur les
unités, DL-2100, -2200, -2300, -2400,
à fixation de type A)



R = Interrupteur I/O (marche/arrêt) à
distance (plaque d'interrupteur non
fournie avec les interrupteurs)

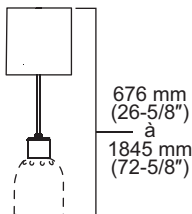
N = Aucun (fourni par l'installateur)

NOTA: Les dimensions totales incluent un abat-jour de 8-1/2" (216 mm). Ajoutez 51 mm (2") pour les modèles avec un abat-jour de 10-1/2" (267 mm).

Type de fixation

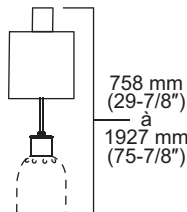
Fixation de type RC

Fixation de la lampe par
cordon de longueur rétractable.
Longueur de cordon réglable
de 676 mm (26-5/8") à
1845 mm (72-5/8").



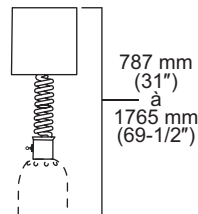
Fixation de type RCT

Fixation de la lampe à
l'adaptateur du rail par
cordon rétractable.
Longueur de cordon réglable
de 758 mm (29-7/8") à
1927 mm (75-7/8").



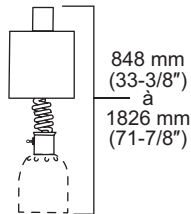
Fixation de type R

Fixation de la lampe par
cordon rétractable enroulé.
Longueur de cordon
réglable de
787 mm (31") à
1765 mm (69-1/2").



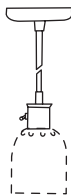
Fixation de type RT

Fixation de la lampe à
l'adaptateur du rail par
cordon rétractable enroulé.
Longueur de cordon réglable
de 848 mm (33-3/8") à
1826 mm (71-7/8").



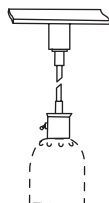
Fixation de type C

Fixation de la lampe
au pavillon
par cordon.
Longueur totale de
432 mm (17")
minimum.



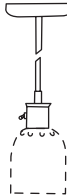
Fixation de type CT

Fixation de la lampe
à l'adaptateur du
rail par cordon.
Longueur totale de
432 mm (17")
minimum.



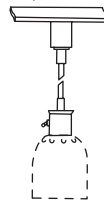
Fixation de type S

Fixation de la
lampe au pavillon
par tige rigide.
Longueur totale
de 14" (356 mm) à
71" (1803 mm).



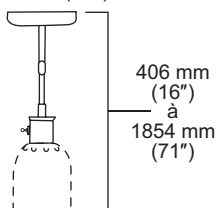
Fixation de type ST

Fixation de la lampe
à l'adaptateur du rail
par tige rigide.
Longueur totale de
17" (432 mm) à
71" (1803 mm).



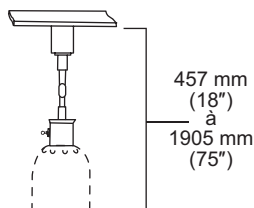
Fixation de type AS

Fixation de la
lampe au pavillon
par tige ajustable.
Longueur totale
de 406 mm (16") à
1854 mm (73").



Fixation de type AST

Fixation de la lampe
à l'adaptateur du rail
par tige ajustable.
Longueur totale de
457 mm (18") à
1905 mm (75").



Fixation de type TS

Fixation de la lampe par tige
filetée à un support existant
(non fourni par Hatco).
Modèle uniquement disponible
en tant que composant
homologué UL (UR).



Tableau des valeurs nominales électriques

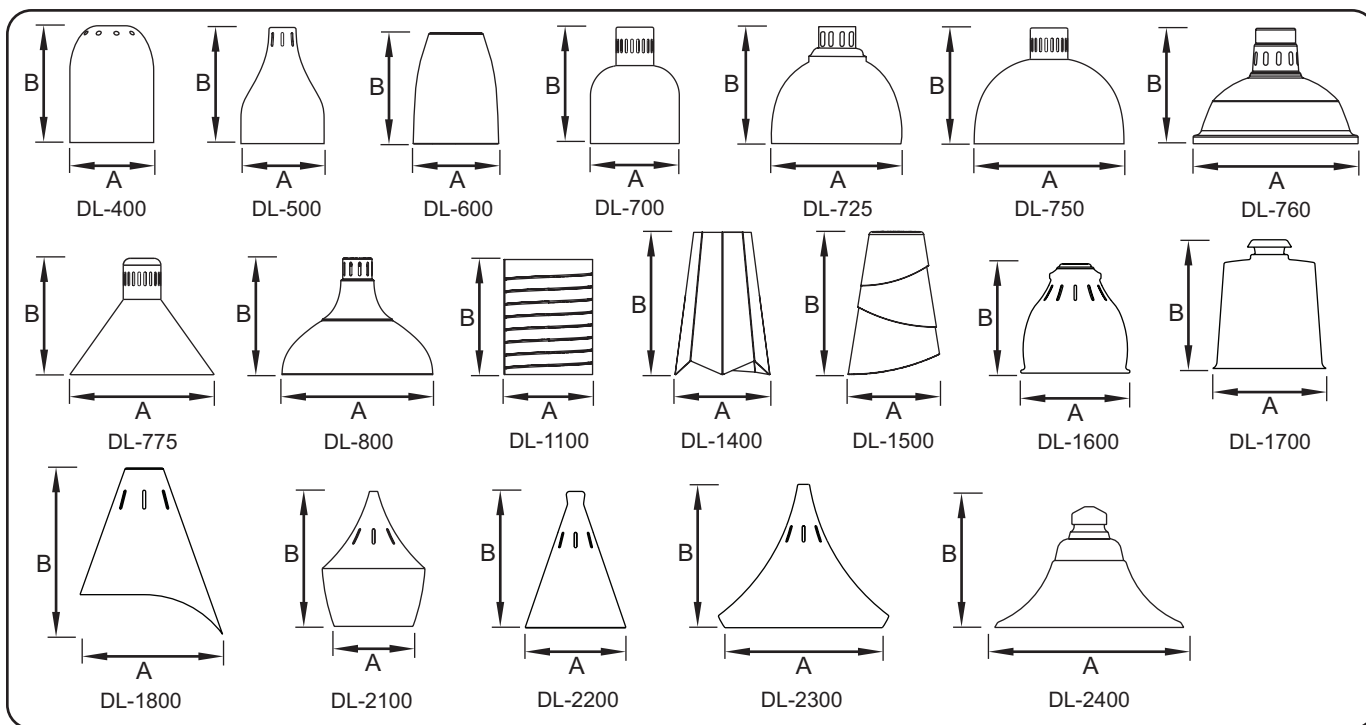
Modèle	Tension	Intensité	Amps
Série DL	120	250	2.1
Série DLH	120	375	3.1

Modèle	Tension	Intensité	Amps
Série DLL	120	200	1.7

NOTA: L'étiquette des caractéristiques techniques est située à l'intérieur de l'abat-jour de la lampe. Consultez l'étiquette pour connaître le numéro de série et vérifier les caractéristiques électriques de l'unité.

Dimensions — Style d'abat-jour

Style d'abat-jour	Largeur (A)	Hauteur (B)	Style d'abat-jour	Largeur (A)	Hauteur (B)	Style d'abat-jour	Largeur (A)	Hauteur (B)
DL-400	156 mm (6-1/8")	216 mm (8-1/2")	DL-775	267 mm (10-1/2")	216 mm (8-1/2")	DL-1800	229 mm (9")	267 mm (10-1/2")
DL-500	156 mm (6-1/8")	216 mm (8-1/2")	DL-800	279 mm (11")	216 mm (8-1/2")	DL-2100	156 mm (6-1/8")	267 mm (10-1/2")
DL-600	159 mm (6-1/4")	216 mm (8-1/2")	DL-1100	165 mm (6-1/2")	216 mm (8-1/2")	DL-2200	197 mm (7-3/4")	267 mm (10-1/2")
DL-700	165 mm (6-1/2")	216 mm (8-1/2")	DL-1400	178 mm (7")	267 mm (10-1/2")	DL-2300	293 mm (11-1/2")	267 mm (10-1/2")
DL-725	241 mm (9-1/2")	216 mm (8-1/2")	DL-1500	169 mm (6-11/16")	267 mm (10-1/2")	DL-2400	279 mm (11")	216 mm (8-1/2")
DL-750	279 mm (11")	216 mm (8-1/2")	DL-1600	216 mm (8-1/2")	216 mm (8-1/2")			
DL-760	318 mm (12-1/2")	216 mm (8-1/2")	DL-1700	191 mm (7-1/2")	216 mm (8-1/2")			



NOTA: La hauteur de l'abat-jour augmente de 51 mm (2") lors de l'utilisation d'une unité équipée d'un cordon (types de montage C, CT, R, RT, RC et RCT).

Généralités

Suivez les recommandations et procédures décrites ci-dessous pour installer les lampes décoratives.

AVERTISSEMENT

DANGER DE DÉCHARGE ÉLECTRIQUE :

- L'appareil doit être installé par un électricien qualifié. L'installation doit être conforme à l'ensemble des réglementations électriques locales. Une installation par un personnel non qualifié provoquera une annulation de la garantie de l'appareil. Cela peut également entraîner un choc électrique ou une brûlure et endommager l'unité et/ou les zones environnantes.
- Coupez l'alimentation de l'endroit prévu pour la fixation avant de procéder à l'installation de l'unité.
- N'installez pas un système de rail au-dessus de la table à vapeur ou d'un autre appareil générant de la vapeur.
- Une mise à la terre incorrecte de l'unité peut entraîner des blessures graves ou le décès.
- L'appareil n'est pas à l'épreuve des intempéries. Placer l'appareil à l'intérieur.

DANGER D'INCENDIE :

- Placez l'unité à au moins 25 mm (1") de murs ou de matières inflammables. Si ces distances de sécurité ne sont pas respectées, une décoloration ou une combustion peut se produire.
- Les lampes décoratives de puissance standard (ampoule de 250 W) et les luminaires (ampoule de 100 W maximum) doivent être installés à une distance d'au moins 406 mm (16") au-dessus d'une surface inflammable et à une distance d'au moins 127 mm (5") au-dessus d'une surface ininflammable. Si ces distances de sécurité ne sont pas respectées, une décoloration ou une combustion peuvent se produire.
- Les lampes DLH haute puissance (ampoule de 375 W) doivent être installées à une distance d'au moins 686 mm (27") au-dessus d'une surface inflammable et à une distance d'au moins 432 mm (17") au-dessus d'une surface ininflammable. Si ces distances de sécurité ne sont pas respectées, une décoloration ou une combustion peut se produire.
- N'installez pas une ampoule de 375 W dans une lampe décorative de puissance standard ou un luminaire.

ATTENTION

Dans le cas d'une installation à lampes décoratives multiples, conservez entre chaque unité une distance de séparation minimum de 305 mm (12"), mesurée du centre d'un abat-jour à l'autre.

Toutes les unités à fixation sur pavillon sont conçues pour être compatibles avec une boîte de dérivation octogonale standard de 102 mm (4"). La boîte de dérivation doit être solidement fixée à la structure du bâtiment.

Pour les unités sans interrupteur fourni par Hatco, un électricien qualifié devra choisir un interrupteur adapté à l'application en fonction de l'ampérage et du niveau d'intensité du courant d'appel de l'interrupteur.

AVIS

Les dommages pouvant être causés au dessus de comptoir par l'équipement de Hatco ne sont pas couverts par la garantie de Hatco. Contactez le fabricant du comptoir pour les informations concernant l'application.

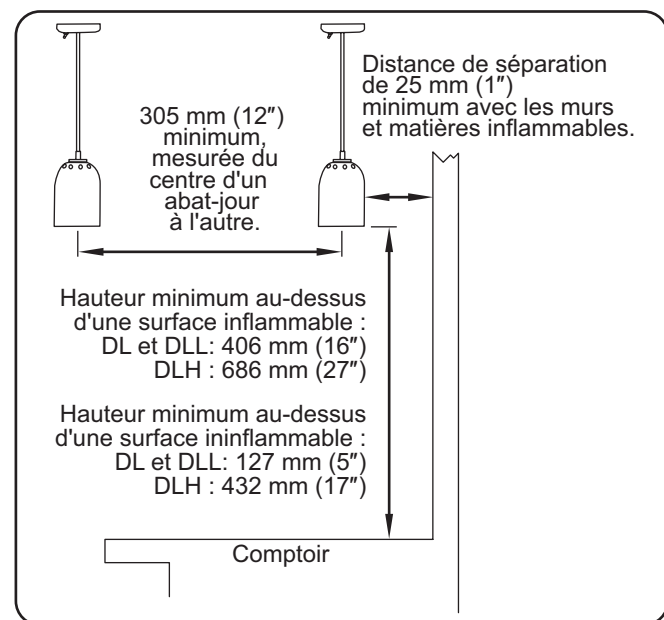
1. Retirez la lampe décorative de son emballage.
2. Retirez le ruban et l'emballage de protection de toutes les surfaces de l'appareil.

NOTA : Pour éviter des retards dans l'obtention de la couverture de la garantie, complétez l'enregistrement en ligne de votre garantie. Lisez la section INFORMATIONS IMPORTANTES POUR LE PROPRIÉTAIRE pour plus de détails.

3. Assurez-vous que l'endroit prévu pour l'installation présente les distances de séparation adéquates (illustrées ci-dessous).

NOTA : Pour une chaleur homogène, dans le cas d'une installation à lampes multiples, conservez entre chaque unité une distance de 305 mm (12"), mesurée du centre d'un abat-jour à l'autre.

NOTA : Les lampes décoratives peuvent être installées au-dessus d'une table chaude. Observez les distances de séparation recommandées pour l'installation.



Distances de séparation recommandées

NOTA : L'interrupteur I/O (marche/arrêt) à distance fourni par Hatco supporte jusqu'à 18 luminaires de 100 W, 7 lampes de 250 W ou 5 lampes de 375 W.

Assemblage

Les modèles à fixation de type C, CT, R, RT, RC, et RCT sont suspendus par un cordon et sont livrés montés et prêts à être installés. Tous les autres modèles doivent être assemblés avant de pouvoir être installés. Consultez les instructions d'assemblage correspondant à votre modèle.

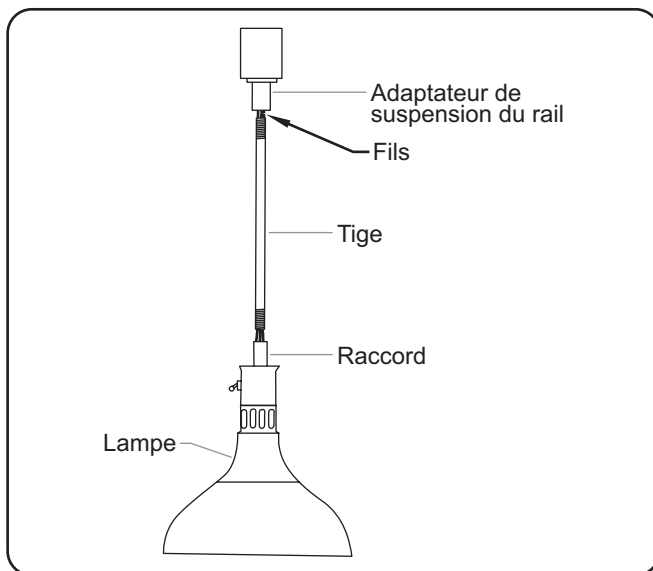
NOTA: Si l'abat-jour est livré avec un embout et un écrou en plastique dans l'orifice de fixation de la tige, ceux-ci devront être retirés avant la fixation de la tige à l'abat-jour.

AVERTISSEMENT

Coupez l'alimentation de l'endroit prévu pour la fixation avant de procéder à l'installation de l'unité.

Assemblage des unités à fixation de type ST

1. Retirez les embouts en plastique recouvrant chaque extrémité de la tige, si présents.
2. Faites passer les fils de la lampe dans la tige.
3. Vissez la tige dans le raccord de la lampe. Serrez-les fermement.
4. Ouvrez le panneau d'accès latéral de l'adaptateur de suspension du rail, puis faites passer les fils jusque dans le boîtier de l'adaptateur.
5. Vissez la tige dans l'adaptateur de suspension du rail et serrez fermement. La tige ne doit plus tourner une fois serrée.
6. Suivez les instructions fournies avec l'adaptateur de suspension pour raccorder les fils blancs, les fils noirs, puis les fils de terre verts à l'aide des capuchons de connexion fournis.



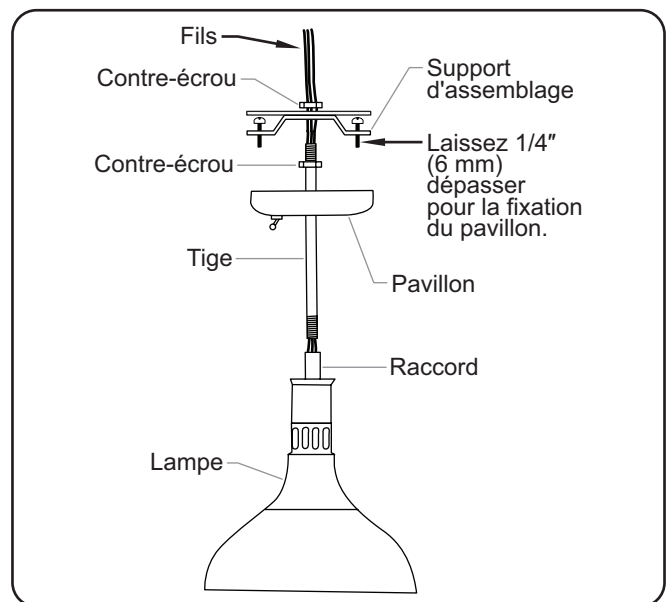
Assemblage des unités à fixation de type ST

Assemblage des unités à fixation de type S

1. Retirez les embouts en plastique recouvrant chaque extrémité de la tige, si présents.
2. Retirez les deux contre-écrous de la tige.

NOTA: Les contre-écrous sont installés sur la tige à des fins d'expédition uniquement. Ils doivent être retirés avant de procéder à l'assemblage de l'unité. Une fois l'assemblage terminé, les contre-écrous se trouveront sur le côté pavillon de la tige.

3. Faites passer les fils de la lampe dans la tige.
4. Vissez la tige dans le raccord de l'abat-jour et serrez fermement. Si l'unité est dotée d'un bras articulé, redressez-le pour faciliter le passage des fils.
5. Placez le pavillon sur la tige.
6. Enfilez un contre-écrou sur la tige jusqu'au bout de la partie filetée de la tige.
7. Placez le support de fixation sur la tige de façon à ce qu'il repose contre le contre-écrou.
8. Enfilez le deuxième contre-écrou sur la tige et serrez-le contre le support de fixation.
9. Si l'unité comprend un interrupteur supérieur, raccordez le fil noir de la lampe à l'un des fils noirs de l'interrupteur. Utilisez le capuchon de connexion fourni.



Assemblage des unités à fixation de type S

Installation des unités à fixation de type C, S, R, et RC

AVERTISSEMENT

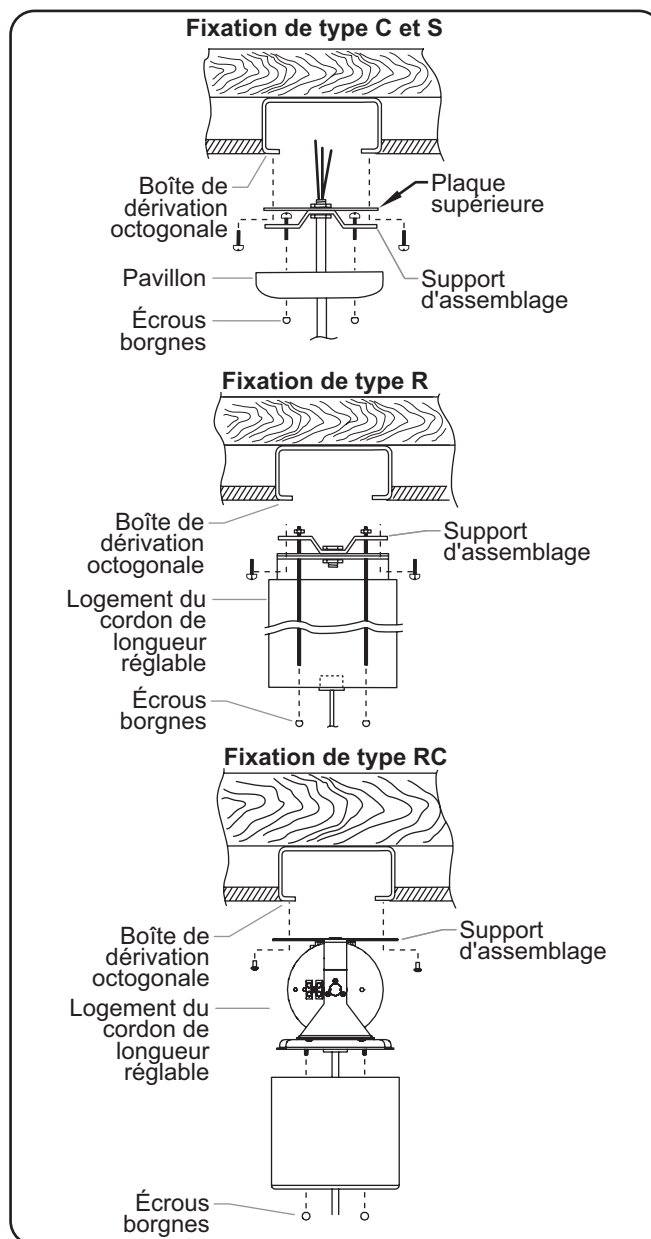
Coupez l'alimentation de l'endroit prévu pour la fixation avant de procéder à l'installation de l'unité.

AVIS

Les modèles rétractables et les appareils montés sur rail doivent être fixés à un plafond plat et horizontal, afin d'éviter tout dommage pour l'appareil.

1. Fixez la plaque supérieure du support de fixation à une boîte de dérivation octogonale de 102 mm (4") à l'aide des deux vis fournies avec la boîte de dérivation. La boîte de jonction doit être conçue pour des luminaires pesant jusqu'à 22,68 kg (50 lb).
2. Assurez-vous que l'alimentation est coupée, puis raccordez le fil de phase L1 au fil noir de la lampe. Raccordez le neutre au fil blanc de la lampe.
Si la lampe comporte trois fils, raccordez la terre au fil vert. Si la lampe n'a que deux fils, effectuez le raccordement à la terre au niveau de la boîte de dérivation. Rentez l'excédent des fils dans la boîte de dérivation.
3. Appliquez le frein-filet fourni sur les écrous borgnes.
4. Faites glisser le pavillon ou le logement du cordon jusqu'à ce qu'il touche le plafond, puis fixez-le bien contre le plafond à l'aide des deux écrous borgnes.

NOTA: Les modèles à fixation de type C possèdent un serre-fils pour les ajustements de la longueur du fil. Les serre-fils doivent être installés à une distance minimum de 13 mm (1/2") de l'extrémité de la gaine du fil. La vis ne doit pas être serrée plus profondément que le pas de vis à l'extérieur du serre-fils.



Fixation à une boîte de dérivation

Installation des unités à fixation de type TS (homologuées UL)

AVERTISSEMENT

Coupez l'alimentation de l'endroit prévu pour la fixation avant de procéder à l'installation de l'unité.

1. Percez un trou de 11 mm (7/16") dans le support de fixation.
2. Faites passer les fils de la lampe dans le trou.
3. Fixez la lampe au support de fixation à l'aide d'un écrou.
4. Assurez-vous que l'alimentation est coupée, puis raccordez le fil de phase L1 au fil noir de la lampe. Raccordez le neutre au fil blanc de la lampe et la terre au fil vert.

Installation des unités à fixation sur rail de type CT, ST, RT, et RCT

AVERTISSEMENT

DANGER DE DÉCHARGE ÉLECTRIQUE : N'installez pas un système de rail au-dessus de la table à vapeur ou d'un autre appareil générant de la vapeur.

ATTENTION

La capacité maximale des systèmes d'éclairage sur rail est de 20 A par circuit. Vérifiez avec soin les fusibles et les circuits avant de procéder à l'installation. La capacité maximale de 20 A comprend tous les dispositifs d'éclairage et autres appareils raccordés au circuit (1 920 W maximum quelle que soit la longueur du rail).

Les systèmes d'éclairage sur rail ne sont pas conçus pour être utilisés avec un cordon d'alimentation ou un adaptateur de prise murale.

Lors de l'installation de systèmes d'éclairage sur rail, utilisez uniquement des kits d'assemblage de rails approuvés par Hatco.

AVIS

Les modèles rétractables et les appareils montés sur rail doivent être fixés à un plafond plat et horizontal, afin d'éviter tout dommage pour l'appareil.

Les lampes décoratives Hatco sont conçues et fabriquées pour s'adapter à certains systèmes d'éclairage. Ne les utilisez pas sur des systèmes d'éclairage sur rail non fournis par Hatco.

Le rail doit être alimenté par un seul circuit de dérivation de 120 V, 60 Hz, 20 A.

NOTA: Un maximum de 18 luminaires de 100 W, 7 lampes de 250 W ou 5 lampes de 375 W peuvent être installés par circuit de 120 V, 20 A. Il relève de la responsabilité de l'installateur de déterminer la taille adéquate du circuit d'alimentation en fonction du nombre de lampes.

Les cordons et rails standard des systèmes Hatco sont noirs. Des cordons et rails blancs sont disponibles en option.

Hatco offre des kits de rail de quatre longueurs différentes. Pour les installations avec plusieurs sections de 1219 mm (4'), reportez-vous à la procédure « Installation des sections de rail » :

- Rail de 1 219 mm (4').
- Raccord de rail et rail de 2 438 mm (8'). Le système de rail comprend deux rails de 1 219 mm (4').
- Raccord de rail et rail de 3 658 mm (12'). Le système de rail comprend trois rails de 1 219 mm (4').
- Raccord de rail et rail de 4 877 mm (16'). Le système de rail comprend quatre rails de 1 219 mm (4').

NOTA: Certains éléments de rail non proposés par Hatco peuvent être achetés directement auprès du fabricant ou du distributeur de rails.

Lors de l'installation et de l'utilisation d'un rail, les consignes de sécurité de base suivantes doivent toujours être observées :

- Lisez l'ensemble des instructions d'installation avant de procéder à l'installation du rail.
- Conservez ces instructions afin de pouvoir vous y référer en cas de modification ultérieure de la configuration.

- N'installez pas le système de rails dans des endroits humides, y compris au-dessus d'une table à vapeur ou d'un appareil générant de la vapeur. L'installation dans de tels emplacements annulera la garantie.
- Aucun élément du rail ne doit se trouver à moins de 1524 mm (5') du sol.
- Séparez les lampes d'au moins 25 mm (1") de tout rideau ou toute autre matière inflammable.
- Coupez l'alimentation avant de procéder à toute modification de la configuration du rail.
- Ne tentez pas d'alimenter autre chose sur le rail que les lampes prévues pour être installées sur un rail. Afin de réduire le risque d'incendie et de choc électrique, ne tentez pas de raccorder des outils électriques, des rallonges, des appareils, etc. au rail.

Le rail doit être fixé à l'aide d'attaches appropriées dans les trous de fixation prépercés à chaque extrémité du/des rail(s) de 1 219 mm (4').

S'il est nécessaire de couper le rail sur place, consultez la procédure décrite à la section « Coupe du rail à une longueur spécifique ». S'il n'est pas nécessaire de couper le rail, passez à la section « Installation du rail ».

Installation du rail

Suivez la procédure suivante pour installer le(s) rail(s). Cette procédure nécessite au moins deux personnes.

AVERTISSEMENT

Coupez l'alimentation de l'endroit prévu pour la fixation avant de procéder à l'installation de l'unité.

NOTA: L'installation des rails de 2 438 mm (8'), 3 658 mm (12') et 4 877 mm (16') requiert l'utilisation de plusieurs sections de rail de 1 219 mm (4') et d'un raccord de rail. Reportez-vous à la procédure « Installation des sections de rail » pour plus de détails.

AVIS

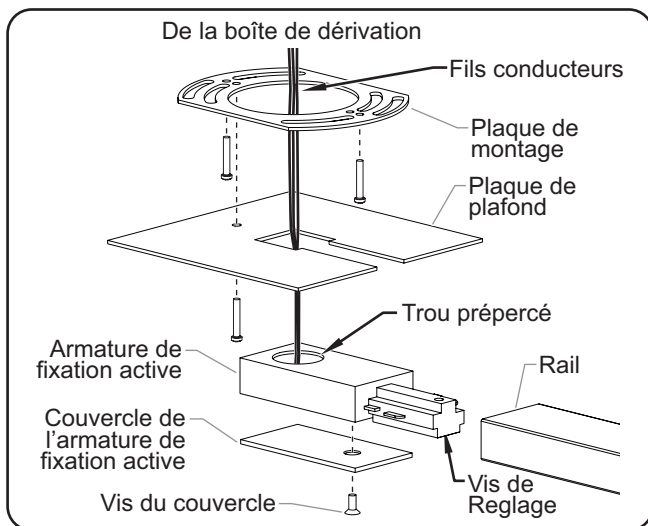
Faites attention de ne pas endommager la partie lisse en plastique de la plaque de plafond métallique lors du choix des trous prédécoupés appropriés à défoncer.

Les modèles rétractables et les appareils montés sur rail doivent être fixés à un plafond plat et horizontal, afin d'éviter tout dommage pour l'appareil.

1. Déterminez l'extrémité avec alimentation du rail et retirez l'embout de l'extrémité.
 - L'embout de l'extrémité avec alimentation doit être installé dans l'extrémité appropriée du rail : assurez-vous que le conducteur de mise à la terre de l'extrémité est aligné avec le jeu de barres du conducteur de mise à la terre sur le rail. Une rainure le long du rail indique le côté du conducteur de mise à la terre.
2. Installez l'embout de l'extrémité avec alimentation complètement dans l'extrémité avec alimentation du rail.
 - Assurez-vous que l'embout de l'extrémité avec alimentation est complètement inséré dans le rail et serrez la vis de réglage sur l'embout de l'extrémité avec alimentation.
3. Retirez la vis du couvercle de l'embout de l'extrémité avec alimentation et retirez le couvercle. Soulevez le trou défonçable de l'embout.

... suite

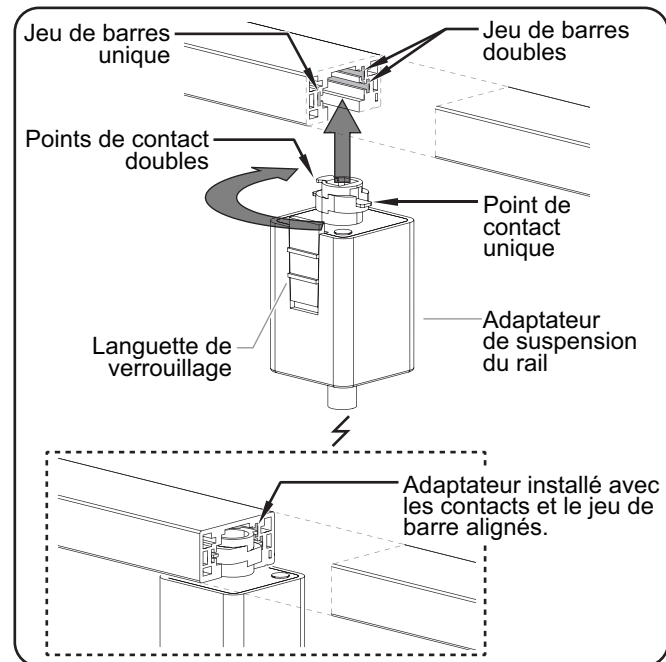
4. Installez la plaque de montage fournie sur la boîte de jonction à l'aide des vis fournies.
5. Soulevez l'ensemble de rail jusqu'au plafond et centrez l'embout de l'extrémité avec alimentation sur la boîte de jonction tout en positionnant le rail fixé dans la position souhaitée. Marquez les emplacements des trous de fixation des rails au plafond. Mettez l'ensemble de rail de côté.
 - S'il est prévu de fixer le rail sur une surface solide, utilisez des vis de calibre 8 (non incluses) à la place des boulons à ailettes.
6. À l'aide d'un foret de 12,7 mm (1/2"), percez les trous de fixation dans le plafond pour les boulons à ailettes fournis.
7. Effectuez les branchements électriques de la boîte de jonction à l'embout de l'extrémité avec alimentation.
 - a. Coupez et dénudez les fils conducteurs (sur une longueur de 10 mm [3/8"]).
 - b. Soulevez l'ensemble de rail près du plafond, tirez les fils à travers le trou défonçable de l'embout de l'extrémité avec alimentation et connectez les fils aux bornes à vis de l'embout.
 - Fil blanc « neutre » à la borne argentée ;
 - Fil noir « chaud » à la borne en laiton ;
 - Fil de terre à la borne de terre verte.
 - c. Repoussez l'excédent des fils dans la boîte de jonction.
8. Remplacez le couvercle sur l'embout de l'extrémité avec alimentation et fixez-le avec la vis du couvercle.
9. Faites glisser la plaque de plafond fournie autour des fils entre la boîte de jonction et l'embout de l'extrémité avec alimentation. Fixez la plaque de plafond à la plaque de montage/boîte de jonction avec la vis fournie.
10. Installez les boulons à ailettes dans les trous de fixation du rail.
11. Repositionnez le rail et installez celui-ci à l'aide des boulons à ailettes.



Installation d'un rail

12. Installez la ou les lampes aux emplacements désirés le long du rail. Pour installer la ou les lampes :
 - a. Tirez sur la languette de verrouillage de l'adaptateur de suspension vers l'arrière et insérez l'adaptateur dans le rail.
 - b. Faites tourner l'adaptateur d'environ 90° jusqu'à ce qu'il se verrouille en position.

NOTA: Assurez-vous que les points de contact sur l'adaptateur de suspension concordent avec le jeu de barres à l'intérieur de l'adaptateur après avoir fait pivoter ce dernier pour le mettre en place.

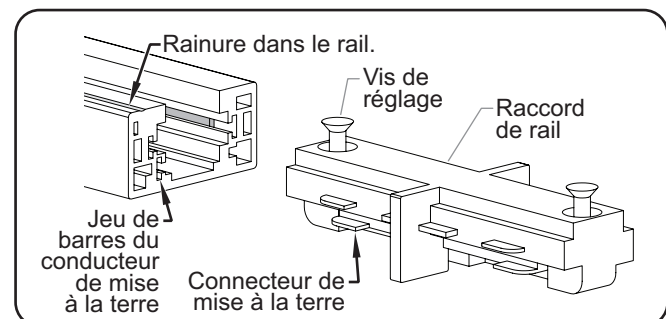


Coupe montrant l'installation de l'adaptateur de suspension

Installation des sections de rail

Effectuez la procédure « Installation du rail » pour la première section de rail, puis utilisez la procédure suivante pour installer les sections de rail de 1 219 mm (4') restantes pour les kits de rail de 2 438 mm (8'), 3 658 mm (12') et 4 877 mm (16').

1. Retirez l'embout de l'extrémité du rail installé et faites glisser le raccord du rail dans l'extrémité du rail.
 - Assurez-vous que le conducteur de mise à la terre du raccord est aligné avec le jeu de barres du conducteur de mise à la terre sur le rail.
2. Retirez l'embout de l'extrémité avec alimentation de la nouvelle section de rail et faites glisser le rail sur l'extrémité ouverte du raccord de rail.
 - Assurez-vous que le jeu de barres du conducteur de mise à la terre sur le nouveau rail s'aligne avec le conducteur de mise à la terre sur le raccord.
3. Positionnez et fixez la nouvelle section de rail au plafond (reportez-vous à la procédure « Installation du rail » pour plus de détails).
4. Serrez les deux vis de réglage sur le raccord de rail pour sécuriser la connexion.



Installation des sections de rail

Coupe du rail à une longueur spécifique

NOTA: La coupe du rail doit être effectuée du côté sans alimentation. Reportez-vous à la procédure « Installation du rail » pour identifier l'extrémité sans alimentation.

1. Retirez l'embout de l'extrémité sans alimentation du rail et poussez le jeu de barres en cuivre et les isolateurs jusqu'à ce qu'ils soient alignés avec l'extrémité avec alimentation du rail. Mesurez la longueur à partir de l'extrémité avec alimentation et effectuez un repère de coupe.
2. À l'aide d'une scie à métaux, coupez le rail à la longueur désirée. Assurez-vous de laisser 3 mm (1/8") pour l'embout de l'extrémité, qui doit être réinstallé à l'extrémité du rail.
3. Éliminez les débris du rail, des isolateurs et du jeu de barres en cuivre.
4. Poussez le jeu de barres en cuivre dans les isolateurs jusqu'à 13 mm (1/2") de l'extrémité du rail.

NOTA: Une fois l'étape ci-dessus complétée, les isolateurs du jeu de barres doivent être alignés avec les extrémités du sillon du rail, et le jeu de barres en cuivre doit se trouver de 11 mm (7/16") minimum à 13 mm (1/2") maximum en retrait par rapport à chaque extrémité du rail. Si tel n'est pas le cas, apportez les modifications nécessaires.

5. Réinstallez l'embout de l'extrémité et serrez la vis.

REMARQUE IMPORTANTE :

Une fois la coupe du rail effectuée, assurez-vous que chaque section de rail d'une longueur de 1219 mm (4') ou moins comporte un trou de fixation situé à 152 mm (6") maximum de chaque extrémité du rail. Des trous de fixation supplémentaires peuvent être percés selon les besoins.

Si nécessaire, effectuez la procédure suivante pour percer des trous de fixation supplémentaires dans le rail :

1. Marquez l'emplacement désiré pour les trous de fixation le long de la ligne centrale interne de la section de rail.
2. Percez un trou de 5 mm (3/16") dans le sillon du rail.

ATTENTION

Lors de l'installation d'un rail, percez avec précaution afin de ne pas endommager les isolateurs du jeu de barres. Si les isolateurs sont endommagés, éliminez la section ; ne l'utilisez pas.

3. Éliminez les débris et passez à la section « Installation du rail ».

Ajustement de la tige

Utilisez la procédure suivante pour modifier la longueur d'une tige ajustable après avoir installé la lampe décorative.

NOTA: Assurez-vous que la lampe est à la bonne hauteur avant de serrer les vis de réglage. Les vis de réglage vont rayer la surface de la tige, ce qui n'est pas couvert par la garantie.

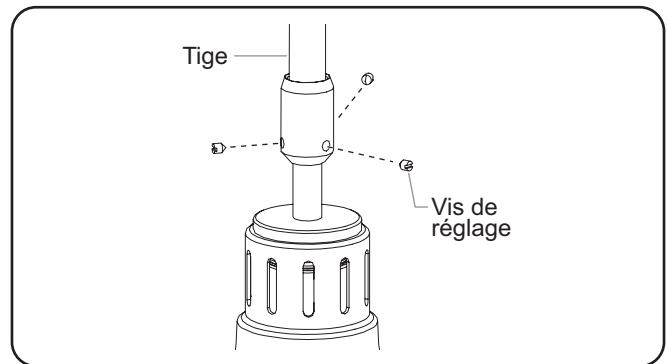
1. Faites glisser la tige vers le haut ou vers le bas jusqu'à la longueur souhaitée.

AVERTISSEMENT

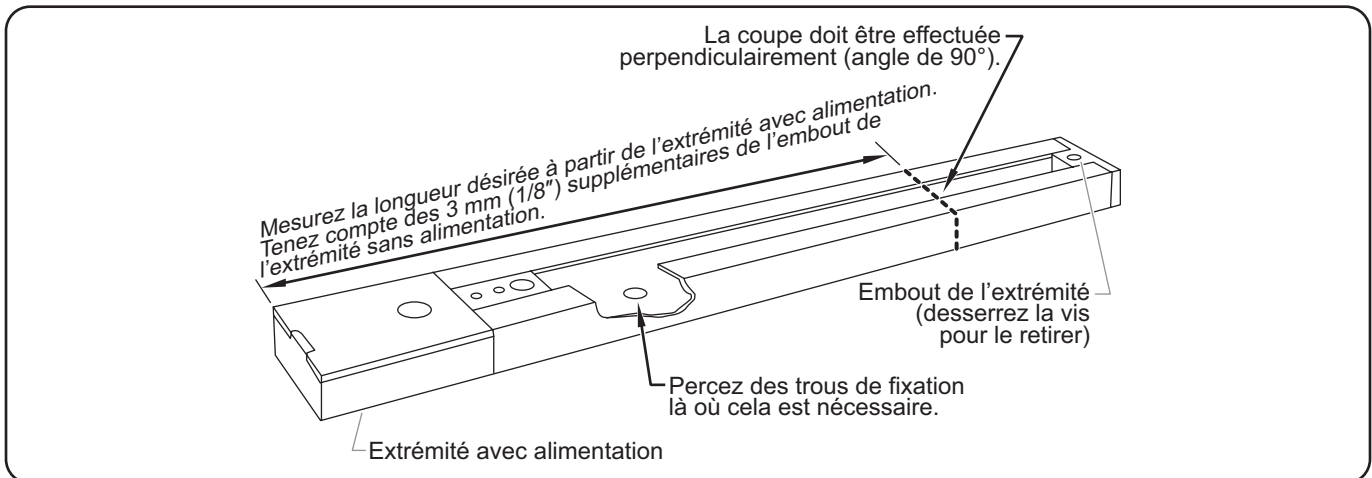
RISQUE D'ÉLECTROCUTION : Serrez fermement les vis de réglage (au moins 16 Nm ou 12 lb-pi). Les vis doivent pénétrer la peinture et entrer en contact avec le métal nu pour la mise à la terre.

2. Fixez la longueur de la tige à l'aide des vis et du frein-filet fournis. Serrez fermement les vis de réglage (au moins 16 Nm ou 12 lb-pi).

NOTA: Il peut être nécessaire de couper le câblage pour qu'il puisse s'adapter à l'auvent après avoir ajusté la longueur de la tige. Couper les fils limitera l'ajustement futur de la tige.



Fixation d'une tige ajustable



Coupe du rail à une longueur spécifique

Généralités

Observez les étapes suivantes pour faire fonctionner une lampe décorative.

AVERTISSEMENT

Lire tous les messages de sécurité de la section Consignes de sécurité importantes avant d'utiliser ce matériel.

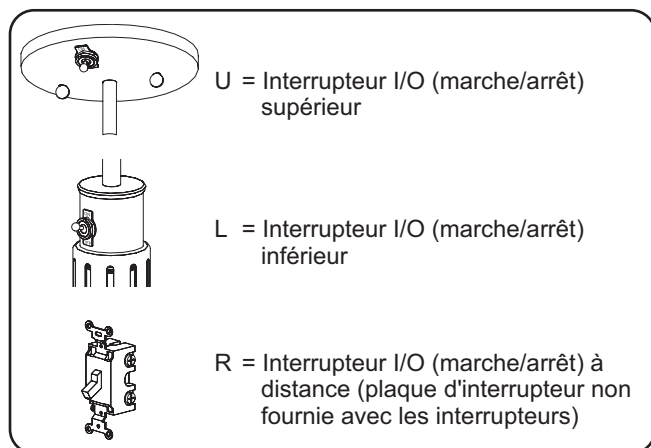
Hatco Corporation n'est pas responsable de la température réelle à laquelle les aliments sont servis. Il est de la responsabilité de l'utilisateur de s'assurer que les produits alimentaires sont maintenus et servis à une température sans danger.

Allumage

- Placez l'interrupteur I/O (marche/arrêt) sur la position I (marche). La lampe/le luminaire s'allume.
 - Les lampes sont automatiquement à température et sont conçues pour fournir un éclairage et une chaleur immédiats.

ATTENTION

DANGER DE BRÛLURE : Certaines surfaces extérieures de l'appareil deviennent chaudes. Toucher ces zones de l'appareil avec précaution.



Interrupteurs marche/arrêt (I/O)

Arrêt

- Placez l'interrupteur I/O (marche/arrêt) sur la position O (arrêt). La lampe/le luminaire s'éteint.

Fonctionnement des unités rétractables « R » et « RT »

Les unités à fixation de type R et RT sont équipées d'un cordon rétractable qui permet d'ajuster la hauteur de la lampe. Le cordon rétractable peut s'étendre jusqu'à 1016mm (40"). Ne PAS prolonger le cordon au-delà de 1016mm ou le cordon rétractable se bloquera. Observez les étapes suivantes pour abaisser ou relever les unités à fixation de type R et RT.

AVIS

Les dommages causés aux cordons rétractables en tirant trop loin, provoquant un blocage, ou en tirant trop fort, ne sont PAS couverts par la garantie.

Abaisser l'unité

- Tirez sur la lampe tout droit et vers le bas pour allonger le cordon jusqu'à ce que la lampe atteigne la hauteur désirée.
 - Le cordon rétractable peut s'étendre jusqu'à 1016mm (40"). Ne PAS prolonger le cordon au-delà de 1016mm ou le cordon rétractable se bloquera.
- Lâchez doucement la lampe. La lampe remonte légèrement jusqu'à ce que le mécanisme de verrouillage dans le pavillon s'enclenche pour maintenir la lampe en position.

Relever l'unité

- Tirez légèrement sur la lampe tout droit et vers le bas pour débloquer le mécanisme de verrouillage. Tenez fermement la lampe lorsque le cordon se rétracte.

AVIS

Ne lâchez pas la lampe pendant que le cordon se rétracte. L'unité pourrait être endommagée.

- Laissez le cordon se rétracter complètement, ou arrêtez-le lorsque la lampe a atteint la hauteur désirée.
 - Tirez légèrement sur la lampe vers le bas pour enclencher le mécanisme de verrouillage et verrouiller la position de la lampe à la nouvelle hauteur.

Déblocage d'un cordon rétractable coincé

Utilisez la procédure suivante si le cordon a été tiré trop loin et est coincé. Cette procédure peut nécessiter deux personnes.

- En tenant fermement le boîtier du cordon rétractable, tirez sur le haut de l'appareil près de l'accouplement par une secousse rapide et puissante vers le bas.
- Lorsque le cordon rétractable se libère, tenez la lampe pour la soutenir et la contrôler pendant que le cordon se rétracte.

Fonctionnement des unités rétractables « RC » et « RCT »

Les unités à fixation de type RC et RCT sont équipées d'un cordon rétractable qui permet d'ajuster la hauteur de la lampe. Le cordon rétractable peut s'étendre jusqu'à 1 165 mm (45-7/8"). N'étendez PAS le cordon au-delà de 1 165 mm (45-7/8") ou le cordon rétractable se bloquera. Observez les étapes suivantes pour abaisser ou relever les unités à fixation de type R et RCT.

NOTICE

Les dommages causés aux cordons rétractables en tirant trop loin, provoquant un blocage, ou en tirant trop fort, ne sont PAS couverts par la garantie.

Abaisser la lampe

- Tirez sur la lampe tout droit et vers le bas pour allonger le cordon jusqu'à ce que la lampe atteigne la hauteur désirée.
 - Le cordon rétractable peut s'étendre jusqu'à 1 165 mm (45-7/8"). N'étendez PAS le cordon au-delà de 1 165 mm (45-7/8") ou le cordon rétractable se bloquera.

Relever l'unité

- Poussez sur la lampe tout droit et vers le bas pour raccourcir le cordon jusqu'à ce que la lampe atteigne la hauteur désirée.

Généralités

Les lampes décoratives Hatco sont conçues pour une durabilité et des performances maximum, avec un minimum d'entretien.

AVERTISSEMENT

DANGER DE DÉCHARGE ÉLECTRIQUE :

- Coupez l'alimentation au niveau du sectionneur porte-fusibles/disjoncteur et laissez l'unité refroidir avant d'entreprendre toute opération de nettoyage, de réglage ou d'entretien.
- **NE PAS immerger l'appareil ni le saturer d'eau.** L'appareil n'est pas étanche à l'eau. Ne pas le faire fonctionner s'il a été immergé ou saturé d'eau.
- Ne pas nettoyer à la vapeur ni utiliser trop d'eau sur l'appareil.
- Cet appareil n'est pas étanche aux jets. Ne pas utiliser de jet sous pression pour nettoyer l'appareil.
- Utilisez uniquement des pièces de rechange d'origine Hatco lorsque l'entretien est nécessaire. Utilisez des pièces détachées Hatco authentiques sous peine d'annuler toutes les garanties et d'exposer l'utilisateur à des tensions électriques dangereuses pouvant entraîner une électrocution ou des brûlures. Les pièces de rechange authentiques Hatco sont spécifiées pour fonctionner en toute sécurité dans les environnements dans lesquels elles sont utilisées. Certaines pièces de rechange génériques ou d'après-vente n'ont pas les caractéristiques qui leur permettent d'opérer en toute sécurité dans les équipements Hatco.

Cet appareil ne contient aucune pièce réparable par l'utilisateur. Si cet appareil doit être réparé, contacter un réparateur Hatco agréé ou le Service après-vente Hatco au +1-414-671-6350.

AVIS

Nettoyez l'unité tous les jours pour éviter les dysfonctionnements et de maintenir le fonctionnement sanitaire.

Utilisez seulement des nettoyants non abrasifs et des chiffons doux. Les chiffons et nettoyant abrasifs pourraient érafler la finition de l'unité, entachant son apparence et la rendant susceptible à l'accumulation de saleté.

Ne nettoyez pas les unités avec un nettoyant à base d'ammoniaque.

Nettoyage quotidien

1. Placez l'interrupteur I/O (marche/arrêt) sur la position O (arrêt), puis laissez l'unité refroidir complètement.
2. Essuyez l'abat-jour avec un chiffon propre, doux et humecté d'eau. Les taches tenaces peuvent être effacées avec un détergent doux et non abrasif.

Remplacement d'une ampoule infrarouge

Chaque lampe décorative de puissance standard (DL) contient une ampoule infrarouge de 250 W. Chaque luminaire (DLL) possède une ampoule de 100 W maximum. Chaque lampe décorative haute puissance (DLH) contient une ampoule infrarouge de 375 W. Des ampoules de 250 W peuvent également être utilisées avec les unités DLH.

AVERTISSEMENT

DANGER D'INCENDIE: N'installez pas une ampoule de 375 W dans une lampe décorative de puissance standard ou un luminaire de faible puissance.

1. Pour remplacer une ampoule, placez l'interrupteur I/O (marche/arrêt) sur la position O (arrêt), puis laissez l'ampoule refroidir complètement.
2. Le culot des ampoules est fileté. Dévissez l'ampoule de l'unité et remplacez-la avec une ampoule neuve.

NOTA: Consultez la section « OPTIONS ET ACCESSOIRES » de ce manuel pour connaître les ampoules infrarouges de rechange disponibles auprès de Hatco.

OPTIONS ET ACCESSOIRES

Ampoules infrarouges

Les ampoules infrarouges suivantes sont disponibles et compatibles avec les lampes décoratives Hatco.

DLL (Luminaire [Absence de chaleur])	
40 W, 120 V, transparente, avec revêtement	02.30.265.00
DL (puissance standard)	
250 W, 120 V, rouge, avec revêtement	02.30.068.00
250 W, 120 V, transparente, avec revêtement	02.30.069.00
250 W, 120 V, rouge, sans revêtement	02.30.070.00
250 W, 120 V, transparente, sans revêtement	02.30.071.00
DLH (haute puissance)	
375 W, 120 V, transparente, sans revêtement	02.30.093.00
375 W, 120 V, transparente, avec revêtement	02.30.097.00

Kits de fixation de rail

Les kits de fixation de rail sont disponibles pour les unités de montage sur rail (type de montage CT, ST, RT et RCT) et peuvent être commandés en longueurs de 1 219 mm (4'), 2 438 mm (8'), 3 658 mm (12') ou 4 877 mm (16'). Ils sont disponibles en noir ou blanc. Le rail peut être coupé sur site si nécessaire.

NOTA: Un maximum de 18 luminaires de 100 W, 7 lampes de 250 W ou 5 lampes de 375 W peuvent être installés par circuit de 120 V, 20 A. Il relève de la responsabilité de l'installateur de déterminer la taille adéquate du circuit d'alimentation en fonction du nombre de lampes.

NOTA: Les unités non prévues pour une fixation sur rail ne peuvent pas être modifiées pour être compatibles avec une telle installation.

NOTA: Certains éléments de rail non proposés par Hatco peuvent être achetés directement auprès du fabricant ou du distributeur de rails.

⚠ AVERTISSEMENT

La réparation de cet appareil doit être confiée exclusivement à du personnel qualifié. Les réparations par des personnes non qualifiées peuvent provoquer des décharges électriques et des brûlures.

⚠ AVERTISSEMENT

DANGER DE DÉCHARGE ÉLECTRIQUE: Coupez l'alimentation au niveau du sectionneur porte-fusibles/disjoncteur et laissez l'unité refroidir avant d'entreprendre toute opération de nettoyage, de réglage ou d'entretien.

Symptômes	Causes Probables	Action Correctrice
L'unité ne fonctionne pas du tout.	L'appareil n'est pas allumé.	Placez l'interrupteur I/O (marche/arrêt) (si présent) sur la position I (marche).
	L'interrupteur I/O (marche/arrêt) est défectueux.	Contactez votre agent de maintenance agréé ou Hatco.
	L'ampoule est grillée.	Remplacez l'ampoule.
L'unité est sous tension mais rien ne s'allume.	Il n'y a pas d'alimentation au niveau de l'appareil.	Vérifiez le disjoncteur et réinitialisez le cas échéant.
	L'interrupteur est défectueux.	Contactez votre agent de maintenance agréé ou Hatco.
	L'ampoule est grillée.	Remplacez l'ampoule.
La chaleur est inadaptée.	L'appareil est monté trop haut par rapport à la zone cible.	Baissez l'appareil, permettant de cibler plus efficacement la chaleur.
	La circulation d'air autour de la lampe décorative est trop forte.	Restreindre ou rediriger le déplacement d'air (ex : la gaine de climatisation ou le ventilateur d'extraction) à distance de l'unité.
	La puissance de l'ampoule est inadéquate.	Vérifiez la puissance de l'ampoule et remplacez-la avec une ampoule de puissance adéquate. MISE EN GARDE! N'utilisez JAMAIS une ampoule d'une puissance supérieure à celle indiquée sur l'étiquette des caractéristiques techniques.
	L'alimentation électrique est incorrecte (basse).	Vérifiez l'alimentation électrique de l'appareil, assurez-vous qu'il corresponde aux valeurs sur l'appareil. Si l'alimentation électrique est incorrecte, changez pour correspondre aux valeurs sur l'appareil.
La chaleur est excessive.	L'appareil est monté trop près de la zone cible.	Vérifiez pour vérifier que l'installation est conforme aux spécifications pour le type/modèle Augmentez la hauteur du montage s'il est trop proche.
	La puissance de l'ampoule est trop élevée.	Vérifiez la puissance de l'ampoule et remplacez-la avec une ampoule de puissance plus faible, si disponible.
	La tension est trop élevée.	Vérifiez l'alimentation électrique de l'appareil, assurez-vous qu'il corresponde aux valeurs sur l'appareil. Si l'alimentation électrique est incorrecte, changez pour correspondre aux valeurs.
Le cordon rétractable est coincé et ne se rétracte pas.	Le cordon rétractable a été trop tiré vers le bas et est bloqué en pleine extension.	Libérez le cordon rétractable coincé. Reportez-vous à la procédure « Déblocage d'un cordon rétractable coincé » dans la section OPÉRATION.
Les interrupteurs de contrôle grillent rapidement.	Les interrupteurs utilisés ne sont pas fournis par Hatco.	Les pièces d'origine Hatco sont conçues pour fonctionner de manière sûre et adéquate dans l'environnement dans lequel elles sont utilisées. Remplacez les interrupteurs avec des interrupteurs de marque Hatco si les interrupteurs actuels sont des pièces génériques ou issues du marché des pièces de rechange.

Vous avez des questions en ce qui concerne les pannes?

Si le problème persiste, veuillez contacter l'agence d'entretien agréée Hatco la plus proche ou Hatco pour obtenir une assistance. Pour trouver l'agence d'entretien la plus proche, rendez-vous sur le site Internet de Hatco (www.hatcocorp.com) et sélectionnez le menu déroulant *Support (Assistance)*, puis cliquez sur « Find A Service Agent » (trouver un agent d'entretien); ou contactez l'équipe d'entretien et de pièces détachées de Hatco :

Numéro de téléphone: +1-414-671-6350

Courriel: support@hatcocorp.com

GARANTIE, RECOURS EXCLUSIF :

Hatco Corporation (le Vendeur) garantit que les produits qu'elle fabrique (les Produits) seront exempts de défauts de matériaux et de fabrication dans des conditions d'utilisation et de service normales et lorsqu'ils sont stockés, entretenus et installés en stricte conformité avec les recommandations de l'usine. La seule obligation du vendeur envers la personne ou l'entité qui achète les Produits directement auprès du Vendeur (le Client) dans le cadre de cette garantie est la réparation ou le remplacement par le Vendeur ou un organisme de service autorisé par le Vendeur, à la discrétion du Vendeur, de tout Produit ou de toute pièce de celui-ci jugés défectueux par le Vendeur après examen, pendant : (i) la Durée de la garantie à compter de la date d'expédition par le Vendeur ou (ii) la Durée de la garantie à compter de la date d'enregistrement du Produit conformément aux instructions écrites du Vendeur ; la durée la plus longue s'appliquant. La « Durée de la garantie » désigne les périodes spécifiques énoncées ci-dessous pour des composants spécifiques du Produit ou, si ceux-ci ne sont pas énoncés ci-dessous, une période de dix-huit (18) mois. Le crédit pour les Produits ou les pièces retournés avec l'autorisation écrite préalable du Vendeur sera soumis aux conditions indiquées sur le formulaire d'autorisation de retour de matériel du Vendeur. AUCUN CRÉDIT NE SERA ACCORDÉ POUR LES PRODUITS OU LES PIÈCES RETOURNÉS SANS AUTORISATION ÉCRITE PRÉALABLE DU VENDEUR. Les frais engagés par le Client pour retourner, remplacer ou retirer les Produits ne seront pas remboursés par le Vendeur. Si le défaut est couvert par la garantie limitée, les Produits seront réparés ou remplacés et retournés au Client, et les frais de retour seront payés par le Vendeur. La réparation ou le remplacement prévus dans les présentes est le recours exclusif du client. Toute utilisation inappropriée, modification, réparation, altération, mauvaise application, installation incorrecte, application d'une tension inappropriée, ou toute autre action ou inaction par le Client ou d'autres personnes (y compris l'utilisation de tout organisme de service non autorisé) qui, selon le seul jugement du Vendeur, affecte négativement le Produit annule cette garantie. La garantie expressément prévue dans les présentes ne peut être réclamée que par le Client et non par les clients du Client ou d'autres utilisateurs des Produits ; cependant, si le Client est un revendeur d'équipement autorisé par le Vendeur, le Client peut attribuer la garantie aux clients du Client, sous réserve de toutes les limitations des présentes Conditions, et dans ce cas, la garantie sera exclusivement contrôlée par le Vendeur conformément aux présentes Conditions. CETTE GARANTIE LIMITÉE EST EXCLUSIVE ET REMPLACE TOUTE AUTRE GARANTIE, EXPRESSE OU IMPLICITE, Y COMPRIS, MAIS SANS S'Y LIMITER, TOUTE GARANTIE IMPLICITE D'ABSENCE DE CONTREFAÇON, DE QUALITÉ MARCHANDE OU D'ADÉQUATION À UN USAGE PARTICULIER, QUI EST EXPRESSÉMENT DÉCLINÉE.

Garantie d'un (1) an pour les pièces et la main-d'œuvre, PLUS garantie d'un (1) an supplémentaire pour les pièces uniquement :

- Éléments du grille-pain à convoyeur (enveloppe métallique)
- Éléments des tiroirs chauffants (enveloppe métallique)
- Tiroirs, roues et glissières des tiroirs chauffants
- Éléments du réchaud (enveloppe métallique)
- Éléments de présentation du réchaud (enveloppe métallique, air chauffant)
- Éléments des armoires de stockage (enveloppe métallique, air chauffant)
- Éléments de puits chauffants — séries HW, HWB et HWBI (enveloppe métallique)

Garantie de deux (2) ans pour les pièces et la main-d'œuvre :

- Gammes à induction
- Réchauds à induction

Garantie de remplacement d'un (1) an :

- Grille-pain à éjection TPT

Garantie d'un (1) an pour les pièces et la main-d'œuvre, PLUS garantie de quatre (4) ans pour les pièces uniquement :

- Cuves 3CS et FR

Garantie d'un (1) an pour les pièces et la main-d'œuvre, PLUS garantie de neuf (9) ans pour les pièces uniquement :

- Cuves des appareils de chauffage d'appoint électriques
- Cuves des appareils de chauffage d'appoint à gaz

Garantie de quatre-vingt-dix (90) jours pour les pièces uniquement :

- Pièces de rechange

Nonobstant toute disposition contraire des présentes, la garantie limitée des présentes ne couvrira pas, à la seule discrétion du vendeur, les éléments suivants, mais sans s'y limiter : ampoules à incandescence enduites, éclairages fluorescents, ampoules de lampe chauffante, ampoules halogènes enduites, ampoules de lampe chauffante halogène, ampoules au xénon, tubes de lumière DEL, composants en verre et fusibles ; défaillance du Produit au niveau de la cuve d'appoint, de l'échangeur de chaleur à tubes à ailettes ou de tout autre équipement de chauffage de l'eau causée par la formation de calcaire, l'accumulation de sédiments, une attaque chimique ou le gel.

INSTRUCTIONS D'ENREGISTREMENT DE LA GARANTIE:

L'enregistrement du produit doit être soumis dans les 90 jours à compter de la date d'expédition de notre usine pour bénéficier d'une couverture supplémentaire. L'enregistrement peut être soumis via le formulaire sur le site Web du Vendeur, via le formulaire accessible grâce au code QR sur le Produit (le cas échéant) ou en appelant le service client en fournissant les informations requises au : **+1 800 558 0607** ou **+1 414 671 6350**.

CLAUSE LIMITATIVE DE RESPONSABILITÉ :

LE VENDEUR NE SERA PAS TENU RESPONSABLE DES DOMMAGES INDIRECTS, ACCESSOIRES, CONSÉCUTIFS, PUNITIFS, EXEMPLAIRES OU DÉTERMINÉS, Y COMPRIS, MAIS SANS S'Y LIMITER, LES MANQUES À GAGNER, LES COÛTS DES PRODUITS DE SUBSTITUTION OU LES FRAIS DE MAIN-D'ŒUVRE RÉSULTANT DE LA VENTE, DE L'UTILISATION OU DE L'INSTALLATION DES PRODUITS, QUE LES PRODUITS SOIENT INCORPORÉS DANS D'AUTRES PRODUITS OU EN DEVIENNENT DES COMPOSANTS, OU DE TOUTE AUTRE CAUSE QUE CE SOIT, FONDÉE SUR UNE GARANTIE (EXPRESSE OU IMPLICITE) OU AUTREMENT FONDÉE SUR UN CONTRAT, UN TORT OU TOUTE AUTRE THÉORIE DE RESPONSABILITÉ, ET INDÉPENDAMMENT DE TOUT CONSEIL OU REPRÉSENTATION QUI AURAIENT PU ÊTRE DONNÉS PAR LE VENDEUR CONCERNANT LA VENTE, L'UTILISATION OU L'INSTALLATION DES PRODUITS, MÊME SI LE VENDEUR EST CONSCIENT DE LA POSSIBILITÉ DE TELS DOMMAGES. EN AUCUN CAS, LA RESPONSABILITÉ GÉNÉRALE DU VENDEUR DÉCOULANT DE CE CONTRAT OU LIÉE À CELUI-CI NE DÉPASSERA LES MONTANTS TOTAUX PAYÉS AU VENDEUR PAR LE CLIENT POUR LES PRODUITS DANS LA PÉRIODE DE TROIS (3) MOIS PRÉCÉDANT IMMÉDIATEMENT L'ÉVÉNEMENT DONNANT LIEU À UNE RÉCLAMATION DU CLIENT. LES LIMITATIONS ÉNONCÉES DANS LES PRÉSENTES CONCERNANT LA RESPONSABILITÉ DU VENDEUR SONT VALABLES ET EXÉCUTOIRES NONOBTANT UN MANQUEMENT À L'OBJECTIF PRINCIPAL DU RECOURS LIMITÉ SPÉCIFIÉ DANS CES CONDITIONS.

Le vendeur se réserve le droit de mettre à jour ces conditions à tout moment, à sa seule discrétion, qui deviennent obligatoires à la date de publication. Pour la version la plus récente de nos conditions de vente complètes, consultez notre site Web à l'adresse : <https://www.hatcocorp.com/terms-of-sale>

AUTHORIZED PARTS DISTRIBUTORS • AUTORISÉS DISTRIBUTEURS DE PIÈCES

ALABAMA

Jones McLeod Appl. Svc.
Birmingham 205-251-0159

ARIZONA

Tech 24
Phoenix 602-234-2443

Byassee Equipment Co.
Phoenix 602-252-0402

CALIFORNIA

Industrial Electric
Commercial Parts & Service, Inc.
Huntington Beach 714-379-7100

Chapman Appl. Service
San Diego 619-298-7106

P & D Appliance
Commercial Parts & Service, Inc.
S. San Francisco 650-635-1900

COLORADO

Hawkins Commercial Appliance
Englewood 303-781-5548

FLORIDA

Whaley Foodservice Repair
Jacksonville 904-725-7800

Whaley Foodservice Repair
Orlando 407-757-0851

B.G.S.I./Heritage
Pompano Beach 954-971-0456

Comm. Appliance Service
Tampa 813-663-0313

GEORGIA

Heritage Service Group
Norcross 866-388-9837

HAWAII

Burney's Comm. Service, Inc.
Honolulu 808-848-1466

Food Equip Parts & Service
Honolulu 808-847-4871

ILLINOIS

Parts Town
Addison 708-865-7278

Eichenauer Elec. Service
Decatur 217-429-4229

Midwest Elec. Appl. Service
Elmhurst 630-279-8000

Cone's Repair Service
Moline 309-797-5323

IOWA

Goodwin Tucker Group
Des Moines 515-262-9308

KENTUCKY

Tech 24
Lexington 859-254-8854

Tech 24
Louisville 502-451-5411

LOUISIANA

Chandlers Parts & Service
Baton Rouge 225-272-6620

MARYLAND

Electric Motor Service
Baltimore 410-467-8080

MASSACHUSETTS

Ace Service Co., Inc.
Needham 781-449-4220

MICHIGAN

Bildons Appliance Service
Detroit 248-478-3320

Commercial Kitchen Service
Bay City 989-893-4561

Midwest Food Equip. Service
Grandville 616-261-2000

MISSOURI

General Parts
Kansas City 816-421-5400

Commercial Kitchen Services
St. Louis 314-890-0700

Kaemmerlen Parts & Service
St. Louis 314-535-2222

NEBRASKA

Anderson Electric
Omaha 402-341-1414

NEVADA

Burney's Commercial
Las Vegas 702-736-0006

Hi. Tech Commercial Service
N. Las Vegas 702-649-4616

NEW JERSEY

Jay Hill Repair
Fairfield 973-575-9145

Service Plus
Flanders 973-691-6300

NEW YORK

Alpro Service Co.
Maspeth 718-386-2515

Duffy's - AIS
Buffalo 716-884-7425

3Wire
Plattsburgh 800-634-5005

Duffy's - AIS
Sauquoit 800-836-1014

J.B. Brady, Inc.
Syracuse 315-422-9271

NORTH CAROLINA

Authorized Appliance
Charlotte 704-377-4501

OHIO

Akron/Canton Comm. Svc. Inc.
Akron 330-753-6634

Tech 24
Cincinnati 513-772-6600

Commercial Parts and Service
Columbus 614-221-0057

Electrical Appl. Repair Service
Brooklyn Heights 216-459-8700

E. A. Wichman Co.
Toledo 419-385-9121

OKLAHOMA

Hagar Rest. Service, Inc.
Oklahoma City 405-235-2184

OREGON

General Parts Group
Portland 503-624-0890

PENNSYLVANIA

Elmer Schultz Services
Philadelphia 215-627-5401

FAST Comm. Appl. Service
Philadelphia 215-288-4800

AIS Commercial Parts and Service
Pittsburgh 412-809-0244

K & D Service Co.
Harrisburg 717-236-9039

Electric Repair Co.
Reading 610-376-5444

RHODE ISLAND

Marshall Electric Co.
Providence 401-331-1163

SOUTH CAROLINA

Whaley Foodservice Repair
Lexington 803-996-9900

TENNESSEE

Camp Electric
Memphis 901-527-7543

TEXAS

Armstrong Repair Service
Houston 713-666-7100

Cooking Equipment Specialist
Mesquite 972-686-6666

Commercial Kitchen Repair Co.
San Antonio 210-735-2811

UTAH

La Monica's Rest. Equip. Service
Murray 801-263-3221

VIRGINIA

Daubers
Norfolk 757-855-4097

Daubers
Springfield 703-866-3600

WASHINGTON

3Wire
Seattle 800-207-3146

WISCONSIN

A.S.C., Inc.
Madison 608-246-3160

A.S.C., Inc.
Milwaukee 414-543-6460

CANADA

ALBERTA

Key Food Equipment Service
Edmonton 780-438-1690

BRITISH COLUMBIA

Key Food Equipment Service
Vancouver 604-433-4484

Key Food Equipment Service
Victoria 250-920-4888

MANITOBA

Air Rite, Inc.
Winnipeg 204-895-2300

NEW BRUNSWICK

EMR Services, Ltd.
Moncton 506-855-4228

ONTARIO

R.G. Henderson Ltd.
Toronto 416-422-5580

Choquette - CKS, Inc.
Ottawa 613-739-8458

QUÉBEC

Choquette - CKS, Inc.
Montreal 514-722-2000

Choquette - CKS, Inc.
Québec City 418-681-3944

UNITED KINGDOM

Marren Group
Northants +44(0)1933 665313

HATCO CORPORATION
P.O. Box 340500
Milwaukee, WI 53234-0500 U.S.A.
414-671-6350
support@hatcocorp.com
www.hatcocorp.com

Register your unit online!

See IMPORTANT OWNER INFORMATION
section for details.

Enregistrez votre appareil en ligne !

Lisez la section INFORMATIONS IMPORTANTES POUR
LE PROPRIÉTAIRE pour plus d'informations.