



# Glo-Max® Curved Infrared Strip Heaters

**Models** | GM5AH-30/-36/-42/-54/-66/-78  
GM5AHL-30/-36/-42/-54/-66/-78

This stylish, patented design, based on our signature Glo-Max® strip heaters, is the perfect solution for your front-of-the-house applications. Superb for buffet and serving lines, the sleek curved design minimizes its size while accenting and warming the products below.

GM5AHL, with versatile LED lighting options, provides perfect coloring and coverage while lowering energy costs.

## • Features

- The entire holding surface is heated evenly with no "cold" spots, thanks to Hatco's dependable infrared element technology
- 6 lengths are available: 762, 914, 1067, 1372, 1676, 1981 mm (30"~78")
- GM5AHL has energy efficient dual LED lights across the entire strip heater which provides longer performance and energy savings (compared to standard incandescent bulbs)
- Remote box with power on/off switch (controls lights and heat) is included
- 2 housing color choices: clear anodized (standard) and black anodized
- Angle brackets are standard, non-adjustable tubular stands are an option
- GM5AHL has LED lights, GM5AH has no lights



Sleek Curved Design

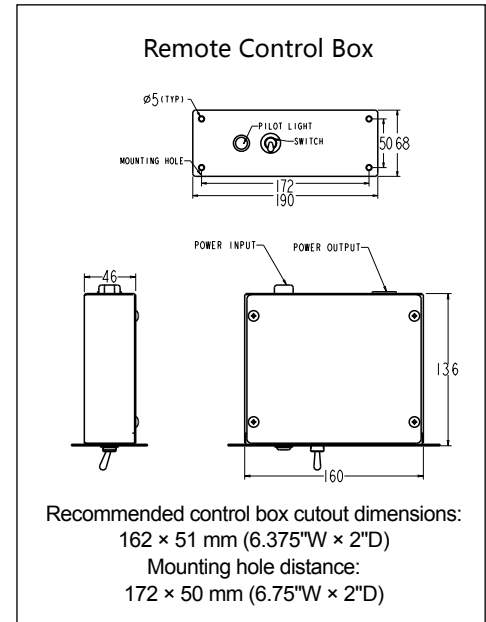
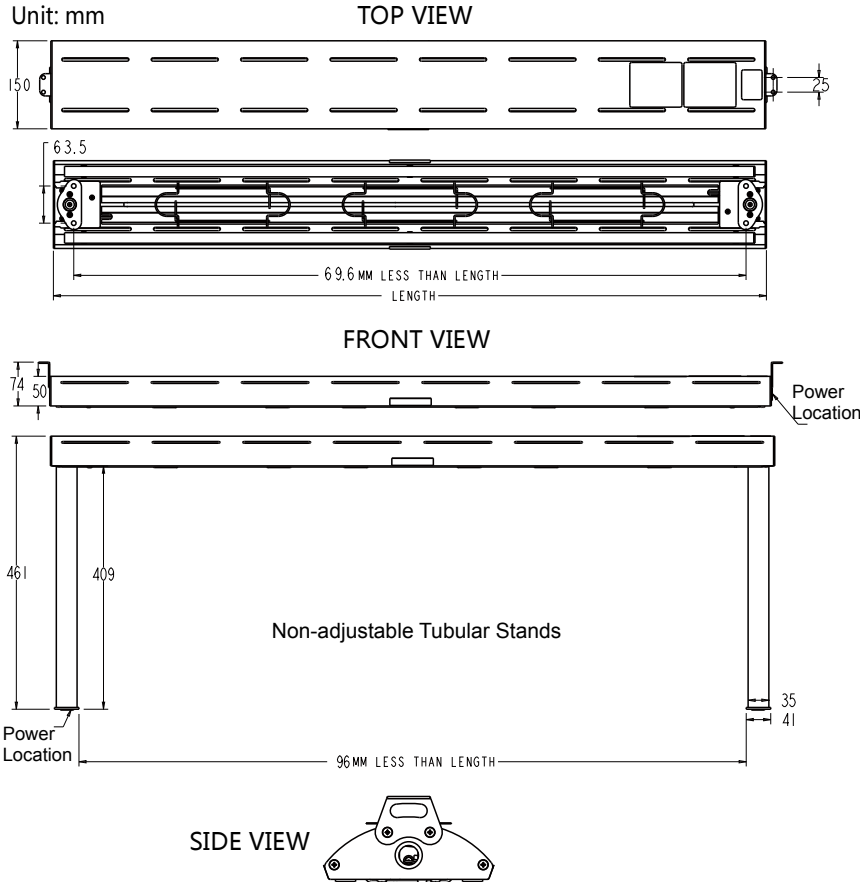


Remote Control Box

# GLO-MAX<sup>®</sup> Curved Infrared Strip Heaters



## Models: GM5AH/GM5AHL



### • Specification

Model	Voltage	Watts	Amps	Weight	Model	Voltage	Watts	Amps	Weight	Dimensions (All Models) WxDxH
GM5AH-30	220~230	660~721	3.0~3.1	5kg (11lbs.)	GM5AHL-30	220~230	670~733	3.0~3.2	6kg (14lbs.)	762 x 150 x 51 mm (30" x 6" x 2")
	230~240	606~660	2.6~2.8			230~240	616~670	2.7~2.8		
GM5AH-36	220~230	800~874	3.6~3.8	6kg (14lbs.)	GM5AHL-36	220~230	812~888	3.7~3.9	6kg (14lbs.)	919 x 150 x 51 mm (36" x 6" x 2")
	230~240	735~800	3.2~3.3			230~240	746~812	3.2~3.4		
GM5AH-42	220~230	950~1038	4.3~4.5	7kg (15lbs.)	GM5AHL-42	220~230	964~1053	4.4~4.6	7kg (15lbs.)	1067 x 150 x 51 mm (42" x 6" x 2")
	230~240	872~950	3.8~4.0			230~240	885~964	3.8~4.0		
GM5AH-54	220~230	1250~1366	5.7~5.9	8kg (18lbs.)	GM5AHL-54	220~230	1267~1384	5.8~6.0	8kg (18lbs.)	1372 x 150 x 51 mm (54" x 6" x 2")
	230~240	1148~1250	5.0~5.2			230~240	1163~1267	5.1~5.3		
GM5AH-66	220~230	1560~1705	7.1~7.4	9kg (20lbs.)	GM5AHL-66	220~230	1579~1726	7.2~7.5	10kg (22lbs.)	1675 x 150 x 51 mm (66" x 6" x 2")
	230~240	1433~1560	6.2~6.5			230~240	1450~1579	6.3~6.6		
GM5AH-78	220~230	1890~2066	8.6~9.0	10kg (22lbs.)	GM5AHL-78	220~230	1910~2088	8.7~9.1	11kg (24lbs.)	1981 x 150 x 51 mm (78" x 6" x 2")
	230~240	1736~1890	7.5~7.9			230~240	1754~1910	7.6~8.0		

- \* Clear anodized is the standard housing color, black anodized is an option
- \* Angle brackets are standard, non-adjustable tubular stands, 406 mm (16"), are an option
- \* Warm LED light (3000K)
- \* Power wire lead length is 1524 mm (60")
- \* Plugs: CCC, Schuko, BS or AU